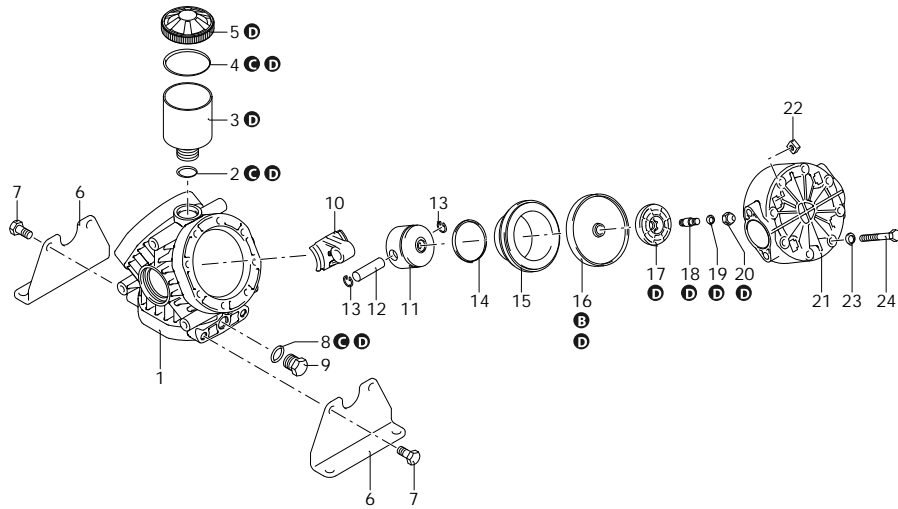




AR 45 BP

1267 AR 45 BP C - NBR



| Code | Description | Q | Note | Validity |
|------|------------------------------|--------------|---------------------------------|----------|
| 1 | 3120010 Pump body | | 1 | |
| 2 | 720030 O-ring | Ø 22,22x2,62 | 1 Lubricate Molykote G-807 | |
| 3 | 3120240 Tank | | 1 | |
| 4 | 650920 O-ring | Ø 53,65x2,62 | 1 Lubricate with Mineral Grease | |
| 5 | 1040324 Plug | red | 1 | |
| 6 | 3120140 Foot | | 2 | |
| 7 | 620340 Screw | TE M10x20 | 4 | |
| 8 | 740290 O-ring | Ø 14x1,78 | 1 Lubricate Molykote PG54 | |
| 9 | 880530 Plug | 3/8" G | 1 C=20Nm | |
| 10 | 3120180 Connecting-rod | | 3 | |
| 11 | 3120070 Piston | Ø 54 | 3 | |
| 12 | 380300 Pin | | 3 Lubricate with Mineral Grease | |
| 13 | 1880450 Ring | seeger Øi 14 | 6 | |
| 14 | 3120130 Piston ring | | 3 | |
| 15 | 3120090 Sleeve | | 3 | |
| 16 | 3120080 Diaphragm | NBR - Øe 90 | 3 | |
| 17 | 3120120 Plate | | 3 | |
| 18 | 3120100 Hub pin | | 3 C=25Nm / Loxeal 83-21 | |
| 19 | 3120760 Washer | | 3 | |
| 20 | 3120110 Nut | M8 | 3 C=20Nm | |
| 21 | 3120020 Head | | 3 | |
| 22 | 3120510 Nut | M8 | 12 | |
| 23 | 3120761 Washer | | 24 | |
| 24 | 3120271 Screw | TE M8x65 | 24 C=10Nm / Molykote 1000 | |
| A | 42524 Valve kit | | 1 | |
| B | 42521 Diaphragms kit | NBR | 1 | |
| C | 42525 O-ring kit | | 1 | |
| D | 42526 Maintenance repair kit | NBR | 1 | |
| E | 47184 Tank kit | | 1 | |

AR_01_026_v01

Customer: AR
Customer Code:



SAE 30
0,600 Kg

Revision: 1

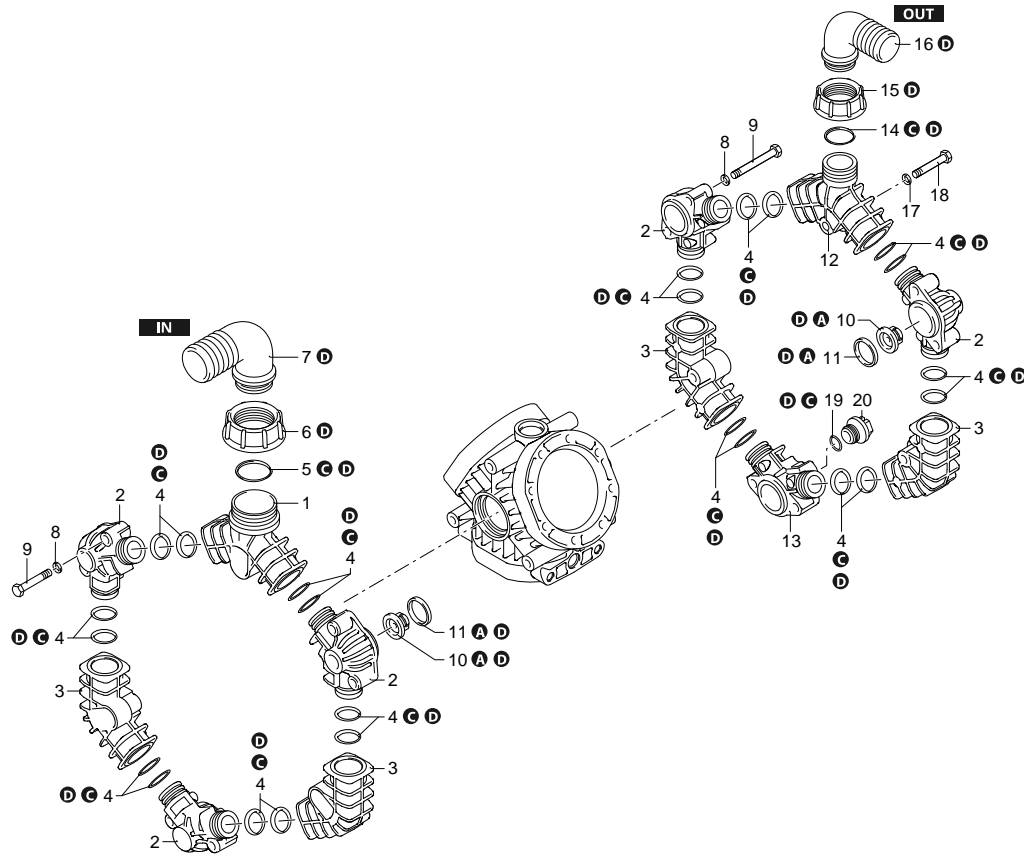
Date: 05/07/2024

Validity: < XX/YY = From week/year



AR 45 BP

1267 AR 45 BP C - NBR



| Code | Description | | Q | Note | Validity |
|------|------------------------------|-----------------|----|----------------------------|----------|
| 1 | 3120410 Line | intake | 1 | | |
| 2 | 3120050 Line | delivery | 5 | | |
| 3 | 3120060 Line | intake/delivery | 4 | | |
| 4 | 720030 O-ring | Ø 22,22x2,62 | 24 | Lubricate Molykote G-807 | |
| 5 | 390290 O-ring | Ø 29x3 | 1 | Lubricate Molykote PG54 | |
| 6 | 750670 Ring nut | 1" 1/2 G | 1 | | |
| 7 | 3040160 Elbow | Ø 35 | 1 | | |
| 8 | 3120761 Washer | | 12 | | |
| 9 | 3120251 Screw | TE M8x60 | 12 | C=10Nm | |
| 10 | 3129050 Complete valve | | 6 | | |
| 11 | 3120230 Gasket | | 6 | Lubricate with P-40 Grease | |
| 12 | 3120380 Line | delivery | 1 | | |
| 13 | 3120051 Line | | 1 | | |
| 14 | 1140450 O-ring | Ø 20,24x2,62 | 1 | Lubricate Molykote PG54 | |
| 15 | 3120440 Ring nut | 1" G | 1 | | |
| 16 | 3120460 Elbow | Ø 25 | 1 | | |
| 17 | 3120761 Washer | | 6 | | |
| 18 | 621780 Screw | TE M8x40 | 6 | C=10Nm / Molykote 1000 | |
| 19 | 2840890 O-ring | Ø 14x2 | 1 | Lubricate Molykote PG54 | |
| 20 | 3120690 Plug | 3/8" G | 1 | C=2Nm | |
| A | 42524 Valve kit | | 1 | | |
| B | 42521 Diaphragms kit | NBR | 1 | | |
| C | 42525 O-ring kit | | 1 | | |
| D | 42526 Maintenance repair kit | NBR | 1 | | |

AR_02_011_v01

Customer: AR
Customer Code:



SAE 30
0,600 Kg

Revision: 1

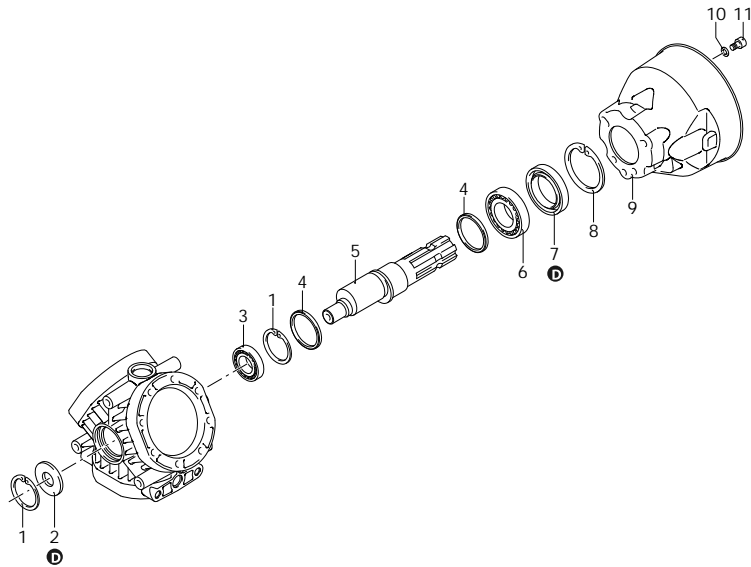
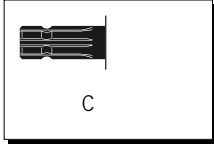
Date: 05/07/2024

Validity: < XX/YY = From week/year



AR 45 BP

1267 AR 45 BP C - NBR



| Code | Description | Q | Note | Validity |
|------|------------------------------|----------------|------|--------------------------|
| 1 | 1460490 Ring | seeger Øi 47 | 2 | |
| 2 | 3120640 Ring | seal | 1 | |
| 3 | 380230 Bearing | | 1 | Press Mount |
| 4 | 1300120 Ring | Connecting-rod | 2 | |
| 5 | 3120500 Shaft | DD marked | 1 | |
| 6 | 961780 Bearing | | 1 | |
| 7 | 3120160 Ring | seal | 1 | Lubricate with motor oil |
| 8 | 961790 Ring | seeger Øi 68 | 1 | |
| 9 | 3240290 Cardan protection | | 1 | |
| 10 | 320620 Washer | | 4 | |
| 11 | 820670 Screw | TCEI M10x16 | 4 | C=10Nm |
| A | 42524 Valve kit | | 1 | |
| B | 42521 Diaphragms kit | NBR | 1 | |
| C | 42525 O-ring kit | | 1 | |
| D | 42526 Maintenance repair kit | NBR | 1 | |

AR_03_043_v01

Customer: AR
Customer Code:



SAE 30
0,600 Kg

Revision: 1

Date: 05/07/2024

Validity: < XX/YY = From week/year