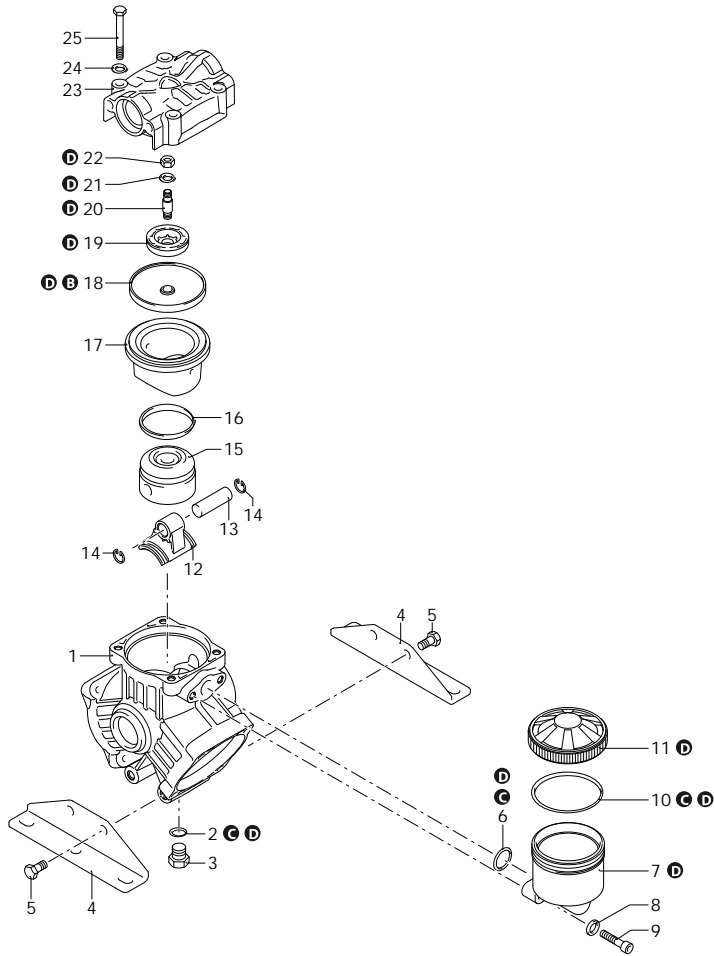




# AR 75 BP

33184 AR 75 BP C - NBR



Code	Description	Q	Note	Validity
1	4800010 Pump body			1
2	820510 O-ring	Ø 10,82x1,78		1
3	880581 Plug	1/4" G	1 C=20Nm / Loxeal 24-18	
4	4800060 Foot			2
5	650640 Screw	TCEI M10x25	4 C=50Nm	
6	390180 O-ring	Ø 18,72x2,62	1 Lubricate with motor oil	
7	4700030 Tank			1
8	380243 Washer			2
9	620611 Screw	TCEI M8x30	2 C=10Nm	
10	1040060 O-ring	Ø 72,69x2,62	1 Lubricate Molykote Longterm W2	
11	750050 Plug	threaded - red		1
12	4800040 Connecting-rod			3
13	380300 Pin		3 Lubricate with Mineral Grease	
14	380080 Ring	seeger Øi 14		6
15	4800190 Piston			3
16	4800200 Piston ring			3
17	4800210 Sleeve			3
18	3120080 Diaphragm	NBR - Øe 90		3
19	4800020 Plate			3
20	3120100 Hub pin		3 C=25Nm / Loxeal 83-21	
21	3120760 Washer			3
22	3120110 Nut	M8	3 C=20Nm	
23	4800030 Head			3
24	390314 Washer			12
25	800862 Screw	TCEI M8x55	12 C=20Nm	
A	42524 Valve kit			1
B	42521 Diaphragms kit	NBR		1
C	46143 O-ring kit			1
D	47450 Maintenance repair kit	NBR		1
E	47185 Tank kit			1

AR\_01\_039\_v01

Customer: AR  
Customer Code:



SAE 30  
0,550 Kg

Revision: 1

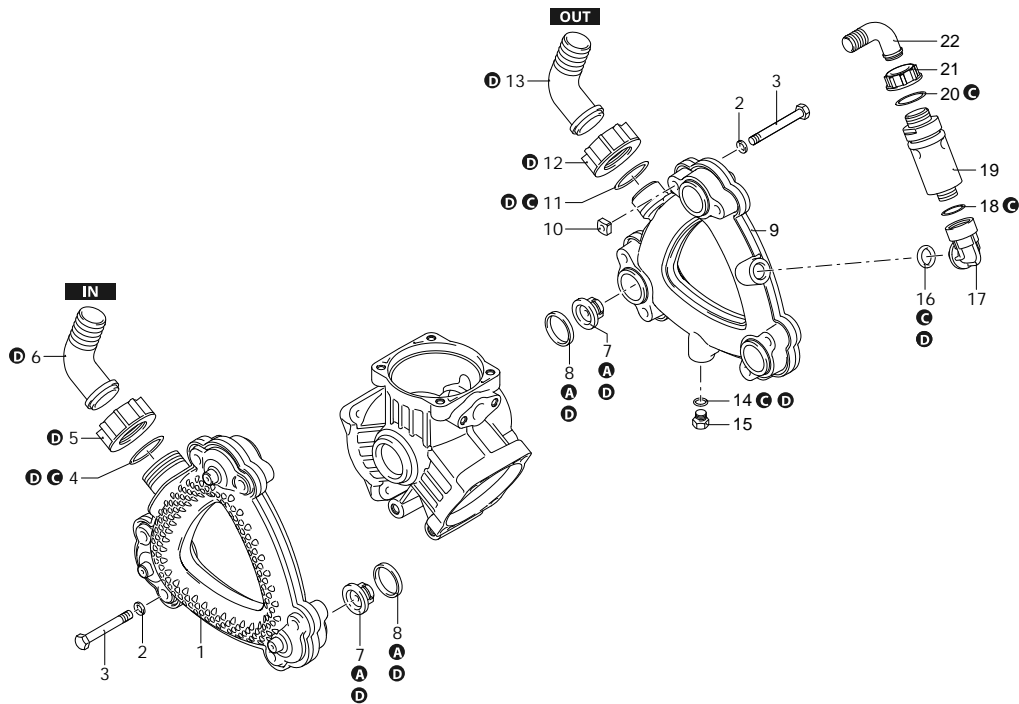
Date: 05/07/2024

Validity: < XX/YY = From week/year



# AR 75 BP

33184 AR 75 BP C - NBR



Code	Description		Q	Note	Validity
1	4800110	Line		intake	1
2	390314	Washer			12
3	1140431	Screw		TCEI M8x75	12 C=15Nm
4	550040	O-ring		Ø 26,65x2,62	1 Lubricate with motor oil
5	651100	Ring nut		1" 1/4 G	1
6	4800360	Hose tail		Ø 30	1
7	3129050	Complete valve			6
8	3120230	Gasket			6 Lubricate with P-40 Grease
9	4800130	Line		delivery	1
10	3120511	Nut		M8	12
11	1140450	O-ring		Ø 20,24x2,62	1 Lubricate Molykote PG54
12	3120440	Ring nut		1" G	1
13	3120460	Elbow		Ø 25	1
14	2840890	O-ring		Ø 14x2	1 Lubricate Molykote PG54
15	3120690	Plug		3/8" G	1 C=2Nm
16	2440230	O-ring			1
17	3460330	Fitting		3/8" G - 1/2" G (M-F)	1 C=2Nm
18	180101	O-ring		Ø 17,5x2	1 Lubricate with motor oil
19	1609000	Safety valve		20 bar	20 Loxeal 24-18
20	880831	O-ring		Ø 15,54x2,62 Viton	1 Lubricate Molykote G-807
21	550450	Ring nut		3/4" G	1
22	550460	Elbow		Ø 18	1
A	42524	Valve kit			1
B	42521	Diaphragms kit		NBR	1
C	46143	O-ring kit			1
D	47450	Maintenance repair kit		NBR	1

AR\_02\_014\_v01

Customer: AR  
Customer Code:



SAE 30  
0,550 Kg

Revision: 1

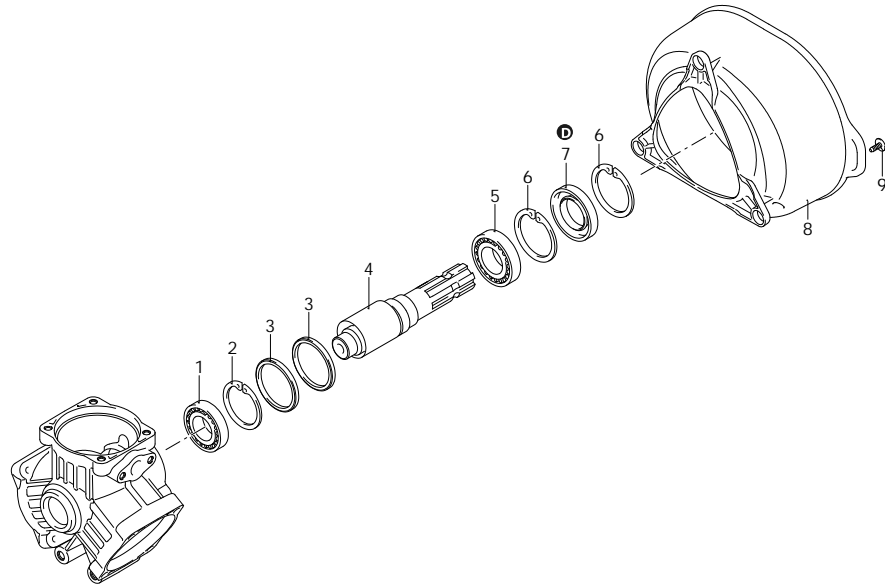
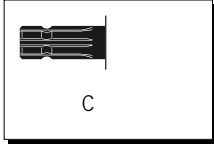
Date: 05/07/2024

Validity: < XX/YY = From week/year



# AR 75 BP

33184 AR 75 BP C - NBR



Code	Description	Q	Note	Validity
1	1320370 Bearing		1 Press Mount	
2	1260790 Ring	seeger Øi 52	1	
3	3460090 Ring	Connecting-rod	2	
4	4800180 Shaft	GA marked	1	
5	621130 Bearing		1 Press Mount	
6	200390 Ring	seeger Øi 62	2	
7	230380 Ring	seal	1 Lubricate Molykote PG54	
8	4800050 Cardan protection		1	
9	4240590 Screw	TC M5x16	3	
A	42524 Valve kit		1	
B	42521 Diaphragms kit	NBR	1	
C	46143 O-ring kit		1	
D	47450 Maintenance repair kit	NBR	1	

AR\_03\_068\_v01

Customer: AR  
Customer Code:



SAE 30  
0,550 Kg

Revision: 1

Date: 05/07/2024

Validity: < XX/YY = From week/year