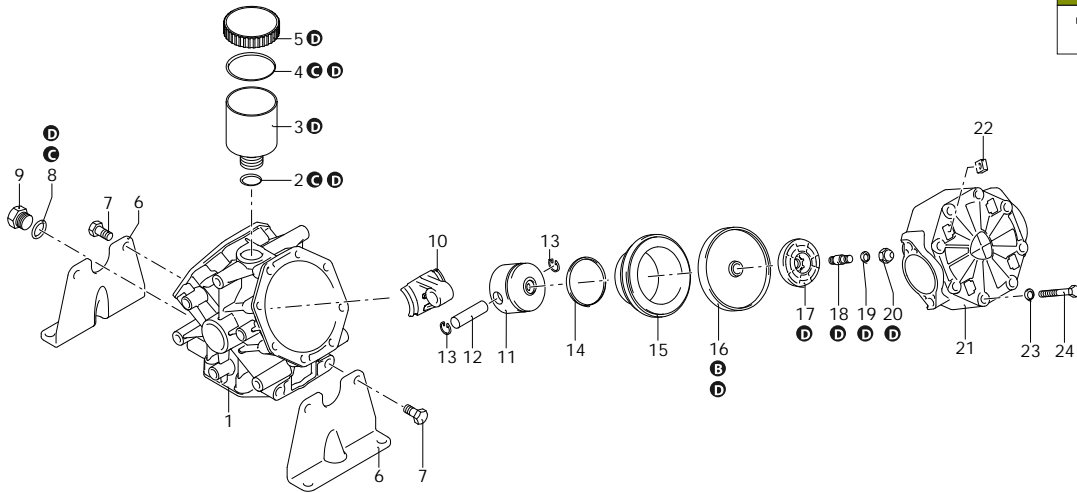




AR 80 BP

1291 AR 80 BP C - NBR



Code	Description	Q	Note	Validity
1	3240010 Pump body		1	
2	720030 O-ring	Ø 22,22x2,62	1 Lubricate Molykote G-807	
3	3120240 Tank		1	
4	650920 O-ring	Ø 53,65x2,62	1 Lubricate with Mineral Grease	
5	1040324 Plug	red	1	
6	3240090 Foot		2	
7	620342 Screw	TE M10x20	4	
8	740290 O-ring	Ø 14x1,78	1 Lubricate Molykote PG54	
9	880530 Plug	3/8" G	1 C=20Nm	
10	3240120 Connecting-rod		3 Lubricate with motor oil	
11	1040120 Piston	Ø 63	3	
12	1040070 Pin		3 Lubricate with Mineral Grease	
13	1040270 Ring	seeger Øi 15	6	
14	650190 Piston ring		3	
15	3240130 Sleeve		3	
16	1040081 Diaphragm	NBR - Øe 105	3	
17	3240110 Plate		3	
18	3240100 Hub pin		3 C=30Nm / Loxeal 83-21	
19	320622 Washer		3	
20	2240110 Nut	M10	3 C=25Nm	
21	3240020 Head	dx	3	
22	3120510 Nut	M8	12	
23	3120760 Washer		24	
24	621771 Screw	TE M8x80	24 C=14Nm / Molykote 1000	
A	42805 Valve kit		1	
B	42802 Diaphragms kit	NBR	1	
C	42857 O-ring kit		1	
D	42808 Maintenance repair kit	NBR	1	
E	47184 Tank kit		1	

AR_01_041_v01

Customer: AR
Customer Code:



SAE 30
0,900 Kg

Revision: 1

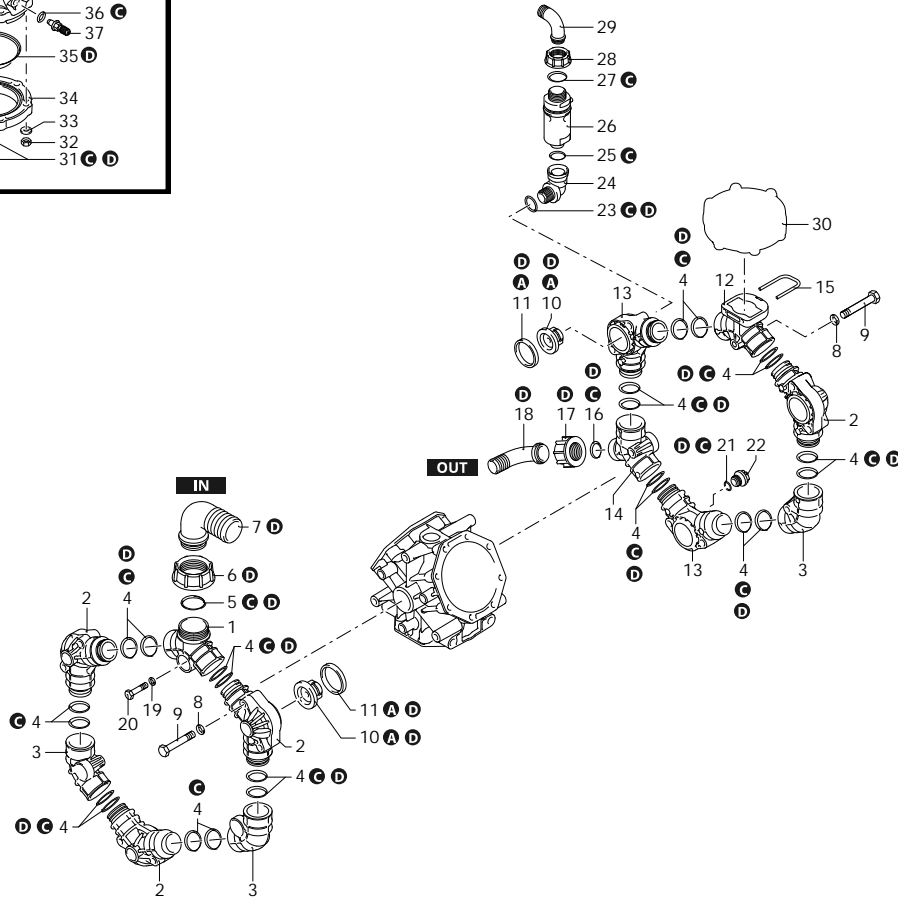
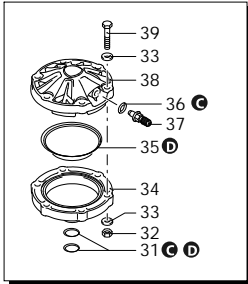
Date: 05/07/2024

Validity: < XX/YY = From week/year



AR 80 BP

1291 AR 80 BP C - NBR



AR_02_016_v01

Customer: AR
Customer Code:



SAE 30
0,900 Kg

Revision: 1

Date: 05/07/2024

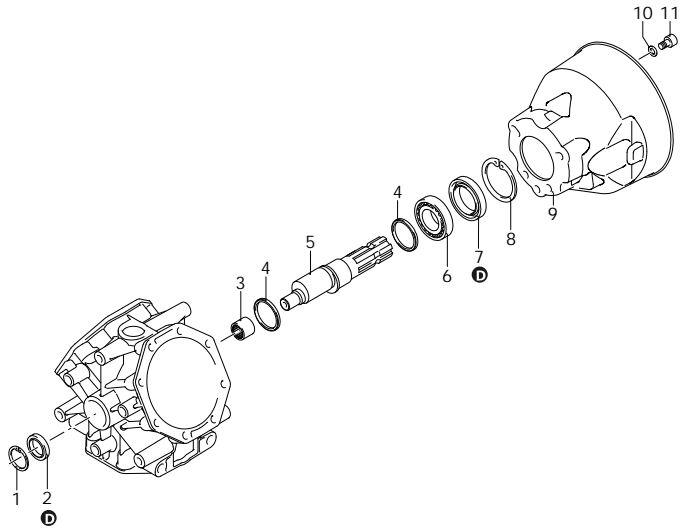
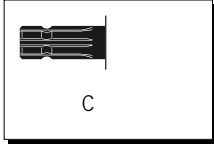
Validity: < XX/YY = From week/year

Code	Description	Q	Note	Validity
1	3240050 Line			1
2	3240030 Line			4
3	3240040 Line		intake/delivery	3
4	390291 O-ring		Ø 28,25x2,62	24 Lubricate Molykote G-807
5	390290 O-ring		Ø 29x3	1 Lubricate Molykote PG54
6	750670 Ring nut		1" 1/2 G	1
7	50267 Elbow		Ø 40	1
8	3120760 Washer			12
9	380211 Screw		TE M8x75	12
10	2429050 Valve			6
11	3460240 Gasket			6 Lubricate Molykote PG54
12	3240070 Line			1
13	3240031 Line			2
14	3240060 Line			1
15	3460210 Fork			1
16	1140450 O-ring		Ø 20,24x2,62	1 Lubricate Molykote PG54
17	3120440 Ring nut		1" G	1
18	3120460 Elbow		Ø 25	1
19	390315 Washer			6
20	3240280 Screw		TE M8x55	6 C=12Nm / Molykote 1000
21	2840890 O-ring		Ø 14x2	1 Lubricate Molykote PG54
22	3120690 Plug		3/8" G	1 C=2Nm
23	2440230 O-ring			1
24	3460330 Fitting		3/8" G - 1/2" G (M-F)	1 C=2Nm
25	180101 O-ring		Ø 17,5x2	1 Lubricate with motor oil
26	1609000 Safety valve		20 bar	1 Loxeal 24-18
27	880831 O-ring		Ø 15,54x2,62 Viton	1 Lubricate Molykote G-807
28	550450 Ring nut		3/4" G	1
29	550460 Elbow		Ø 18	1
30	1506 Air chamber		NBR	1
31	550040 O-ring		Ø 26,65x2,62	2 Lubricate with motor oil
32	3120260 Nut		M8	6 C=20Nm
33	390315 Washer			12
34	3460180 Semi air chamber		lower	1
35	800190 Diaphragm		NBR - Øe 94	1
36	650542 Gasket			1 Lubricate with motor oil
37	180020 Air valve			1 C=3Nm / Loxeal 55-14
38	3460190 Semi air chamber		upper	1
39	621782 Screw		TE M8x40	6 C=10Nm / Molykote 1000
A	42805 Valve kit			1
B	42802 Diaphragms kit		NBR	1
C	42857 O-ring kit			1
D	42808 Maintenance repair kit		NBR	1



AR 80 BP

1291 AR 80 BP C - NBR



Code	Description		Q	Note	Validity
1	480900 Ring	seeger Øi 35	1		
2	1300230 Ring	seal	1	Lubricate with Mineral Grease	
3	3460110 Bearing		1	Press Mount	
4	3240320 Ring	Connecting-rod	2	Lubricate with motor oil	
5	3240150 Shaft	ES marked	1		
6	961780 Bearing		1		
7	3120160 Ring	seal	1	Lubricate with motor oil	
8	961790 Ring	seeger Øi 68	1		
9	3240290 Cardan protection		1		
10	395870 Washer		3		
11	820672 Screw	TCEI M10x16	3	C=10Nm	
A	42805 Valve kit		1		
B	42802 Diaphragms kit	NBR	1		
C	42857 O-ring kit		1		
D	42808 Maintenance repair kit	NBR	1		

AR_03_071_v01

Customer: AR
Customer Code:



SAE 30
0,900 Kg

Revision: 1

Date: 05/07/2024

Validity: < XX/YY = From week/year