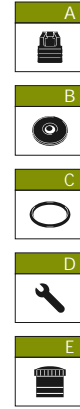
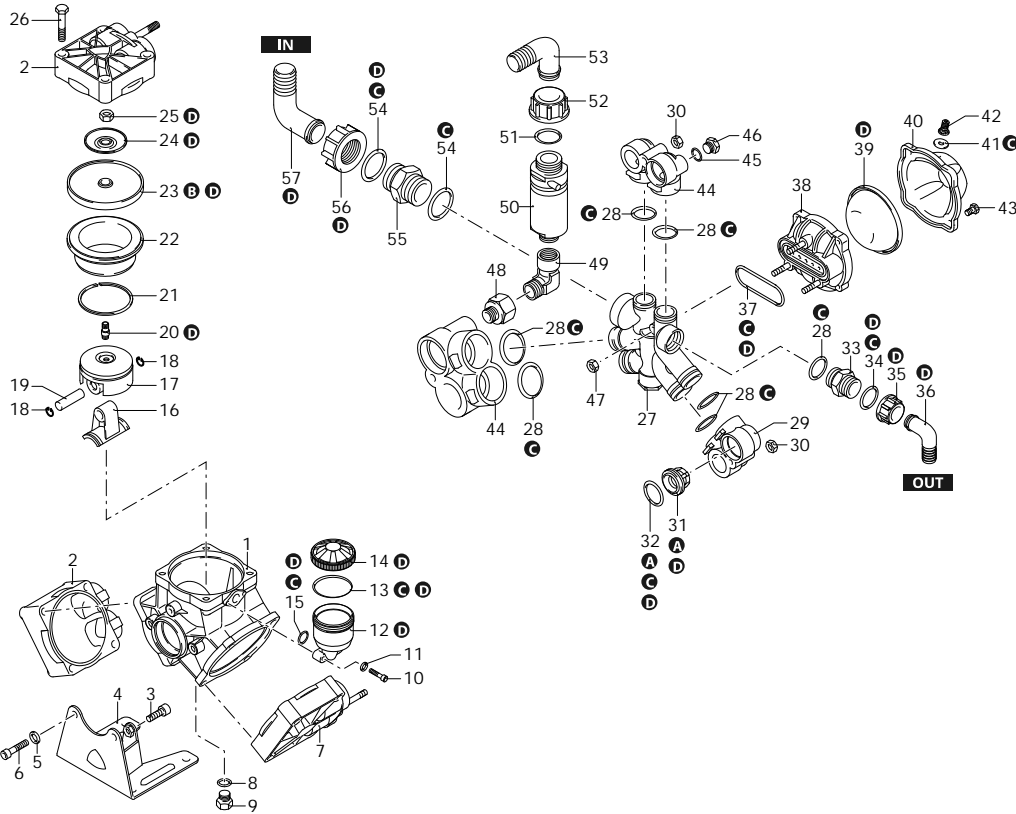




AR 115 BP

1199 AR 115 BP C - NBR - 1000 giri-rpm



Code	Description	Q	Note	Validity
1	580013 Pump body	1		
2	550101 Head	dx		
3	540301 Screw	TCEI M10x30	1 C=40Nm	
4	580082 Foot		1	
5	320621 Washer		2	
6	620472 Screw	TCEI M10x20	2 C=30Nm	
7	550102 Head	sx	1	
8	740290 O-ring	Ø 14x1,78	1 Lubricate Molykote PG54	
9	880530 Plug	3/8" G	1 C=20Nm	
10	850851 Screw	TCEI M6x30	2 C=10Nm	
11	550332 Washer		2	
12	1040310 Tank		1	
13	650920 O-ring	Ø 53,65x2,62	1 Lubricate with Mineral Grease	
14	1040321 Plug	green	1	
15	390180 O-ring	Ø 18,72x2,62	1 Lubricate with motor oil	
16	580140 Connecting-rod		3 Lubricate with motor oil	
17	580120 Piston	Ø 80	3	
18	380080 Ring	seeger Øi 14	6	
19	380300 Pin		3 Lubricate with Mineral Grease	
20	2240100 Hub pin		3 C=30Nm / Loxeal 83-21	
21	500260 Piston ring		3	
22	580112 Sleeve		3	
23	550080 Diaphragm	NBR - Øe 115	3	
24	580371 Plate	Ø 10	3	
25	2240110 Nut	M10	3 C=25Nm	
26	551040 Screw	TE M10x55	12 C=40Nm	
27	580150 Line	intake/delivery	1	
28	390291 O-ring	Ø 28,25x2,62	7 Lubricate Molykote G-807	
29	580072 Fitting		1	
30	180152 Nut	M10	3	
31	589050 Valve		6	
32	320030 O-ring	Ø 31,5x4,5	6 Lubricate with Mineral Grease	
33	550340 Fitting	1" G (M-M)	1	
34	550350 O-ring	Ø 23,81x2,62	1 Lubricate with Mineral Grease	
35	550880 Ring nut	1" G	1	
36	550370 Elbow	Ø 25	1	
37	580050 Gasket		1 Lubricate with motor oil	
38	580180 Semi air chamber	lower	1	
39	550190 Diaphragm	NBR - Øe 110	1	
40	550233 Semi air chamber	upper	1	
41	650542 Gasket		1 Lubricate with motor oil	
42	550300 Air valve		1 C=3Nm	
43	550680 Screw	TE M8x20	4 C=20Nm	
44	580400 Fitting		2	
45	180101 O-ring	Ø 17,5x2	1 Lubricate with motor oil	
46	330173 Plug	1/2" G	1 C=20Nm / Loxeal 55-14	

58_01-001_ar

Customer: AR
Customer Code:



SAE 30
1,000 Kg

Revision: 1

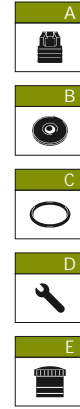
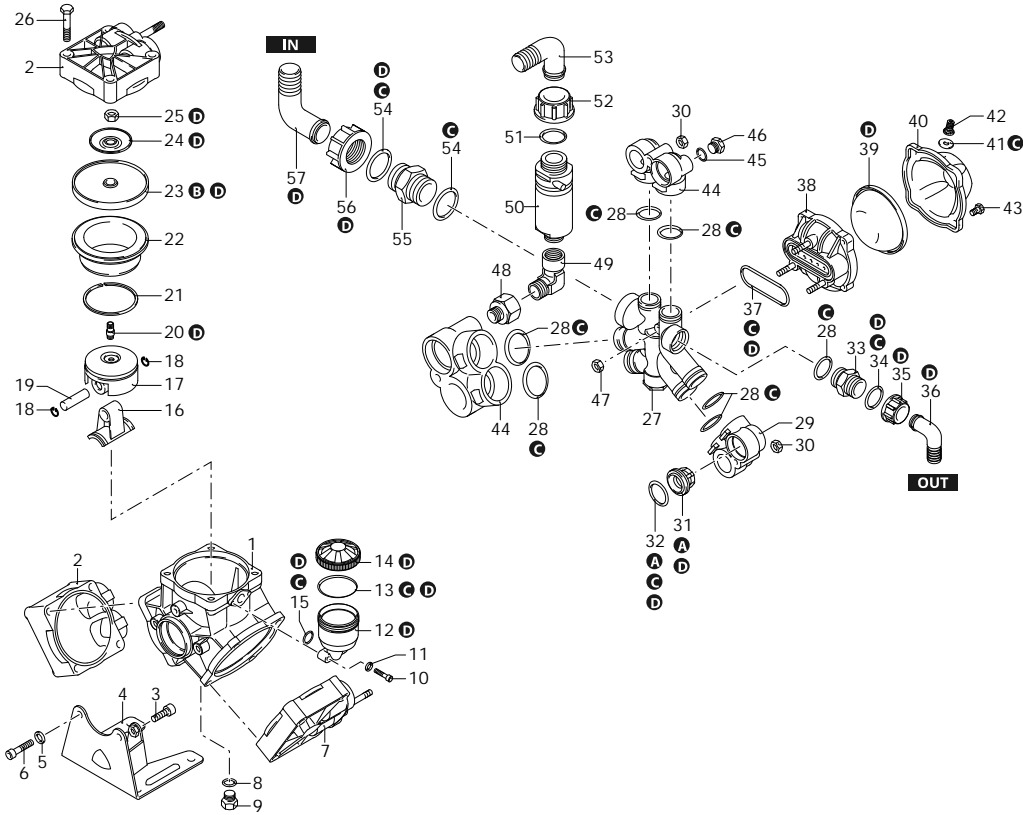
Date: 05/07/2024

Validity: < XX/YY = From week/year



AR 115 BP

1199 AR 115 BP C - NBR - 1000 giri-rpm



Code	Description		Q	Note	Validity
47	390271 Nut	M8	3	C=20Nm	
48	580421 Fitting	1/2" G (M-F)	1	C=20Nm / Loxeal 83-21	
49	881560 Fitting	1/2" G (M-F)	1	C=20Nm / Loxeal 83-21	
50	1609000 Safety valve	20 bar	1	Loxeal 24-18	
51	880831 O-ring	Ø 15,54x2,62 Viton	1	Lubricate Molykote G-807	
52	550450 Ring nut	3/4" G	1		
53	550460 Elbow	Ø 18	1		
54	250310 O-ring	Ø 36,14x2,62	2	Lubricate with motor oil	
55	540530 Fitting	1"1/4 G - 1"3/4 G (M-M)		C=20Nm	
56	540541 Ring nut	1" 3/4 G	1		
57	540550 Elbow	Ø 40	1		
A	2415 Valve kit		1		
B	2367 Diaphragms kit	NBR	1		
C	2026 O-ring kit		1		
D	47222 Maintenance repair kit	BlueFlex	1		
E	47190 Tank kit		1		

58_01-001_ar

Customer: AR
Customer Code:



SAE 30
1,000 Kg

Revision: 1

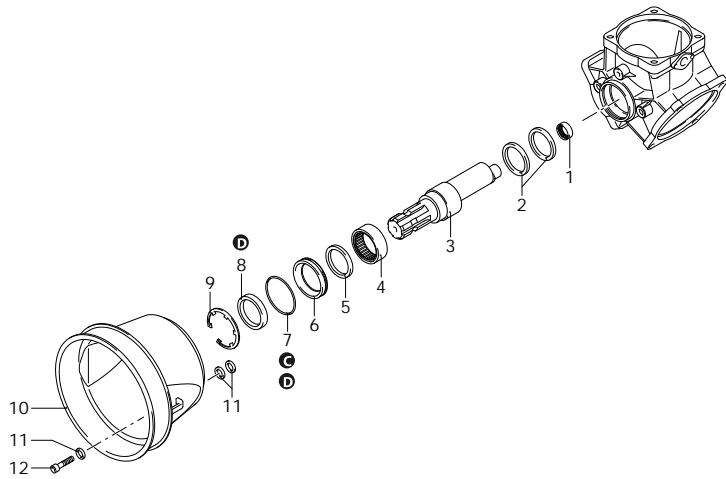
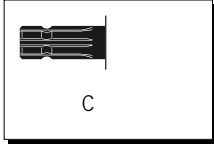
Date: 05/07/2024

Validity: < XX/YY = From week/year



AR 115 BP

1199 AR 115 BP C - NBR - 1000 giri-rpm



Code	Description	Q	Note	Validity
1	550310 Bushing			1
2	580470 Ring	Connecting-rod		2 Lubricate with motor oil
3	550176 Shaft	AP marked		1
4	550060 Bushing			1 Press Mount
5	550070 Washer			1
6	550470 Bushing			1
7	650920 O-ring	Ø 53,65x2,62		1 Lubricate with Mineral Grease
8	550491 Ring	seal		1 Lubricate with Mineral Grease
9	200391 Ring	seeger Øi 62		1
10	1500350 Cardan protection	ø 199 mm		1
11	320621 Washer			3
12	850851 Screw	TCEI M6x30		1 C=10Nm
A	2415 Valve kit			1
B	2367 Diaphragms kit	NBR		1
C	2026 O-ring kit			1
D	47222 Maintenance repair kit	BlueFlex		1

58_03-001_ar

Customer: AR
Customer Code:



SAE 30
1,000 Kg

Revision: 1

Date: 05/07/2024

Validity: < XX/YY = From week/year