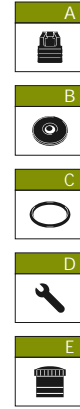
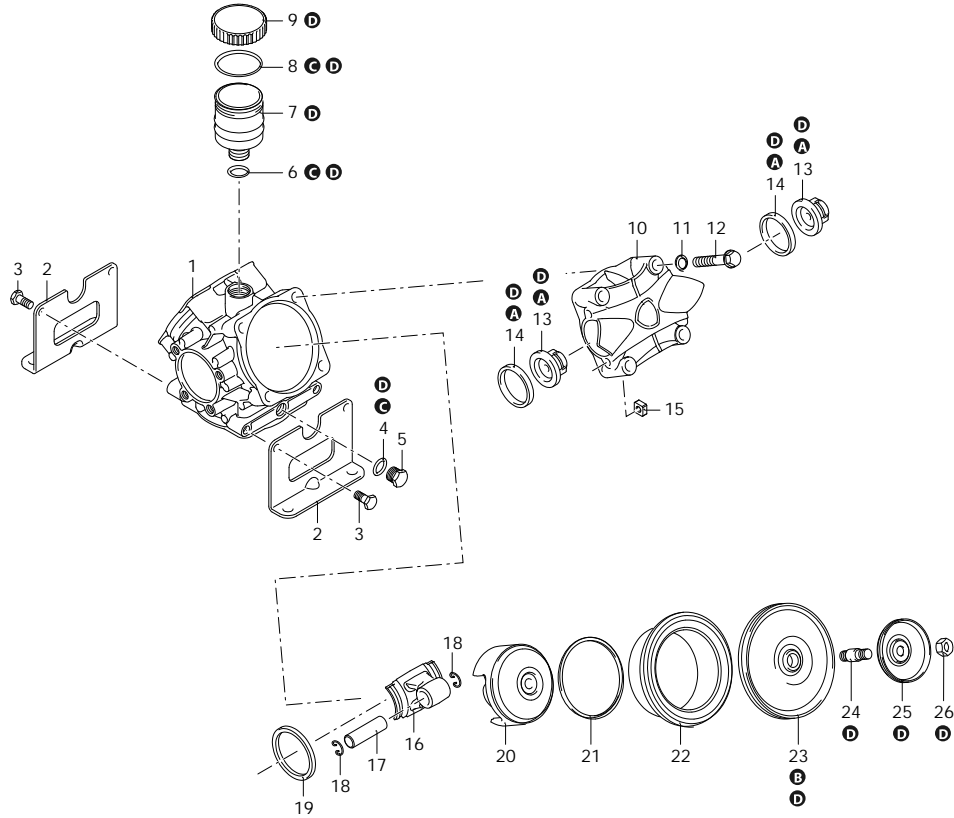




AR 120 BP

1261 AR 120 BP C - NBR



Code	Description	Q	Note	Validity
1	3460010 Pump body		1	
2	3460100 Foot		2	
3	160672 Screw	TE M10x25	4 C=35Nm / Loxeal 55-14	
4	740290 O-ring	Ø 14x1,78	1 Lubricate Molykote PG54	
5	880530 Plug	3/8" G	1 C=20Nm	
6	720030 O-ring	Ø 22,22x2,62	1 Lubricate Molykote G-807	
7	3120240 Tank		1	
8	650920 O-ring	Ø 53,65x2,62	1 Lubricate with Mineral Grease	
9	1040326 Plug	black	1	
10	3460020 Head		3	
11	390090 Washer		12	
12	750071 Screw	TE M12x70	12 C=50Nm / Molykote 1000	
13	2429050 Valve		6	
14	3460240 Gasket		6 Lubricate Molykote PG54	
15	3120511 Nut	M8	12	
16	3460080 Connecting-rod		3 Lubricate with motor oil	
17	380300 Pin		3 Lubricate with Mineral Grease	
18	380080 Ring	seeger Øi 14	6	
19	3460090 Ring	Connecting-rod	2	
20	580120 Piston	Ø 80	3	
21	500260 Piston ring		3	
22	750117 Sleeve		3	
23	550080 Diaphragm	NBR - Øe 115	3	
24	2240100 Hub pin		3 C=30Nm / Loxeal 83-21	
25	580090 Plate		3	
26	2240110 Nut	M10	3 C=25Nm	
A	42805 Valve kit		1	
B	2367 Diaphragms kit	NBR	1	
C	42830 O-ring kit		1	
D	42831 Maintenance repair kit	NBR	1	
E	47184 Tank kit		1	

346_01-001_ar

Customer: AR
Customer Code:



SAE 30
0,900 Kg

Revision: 1

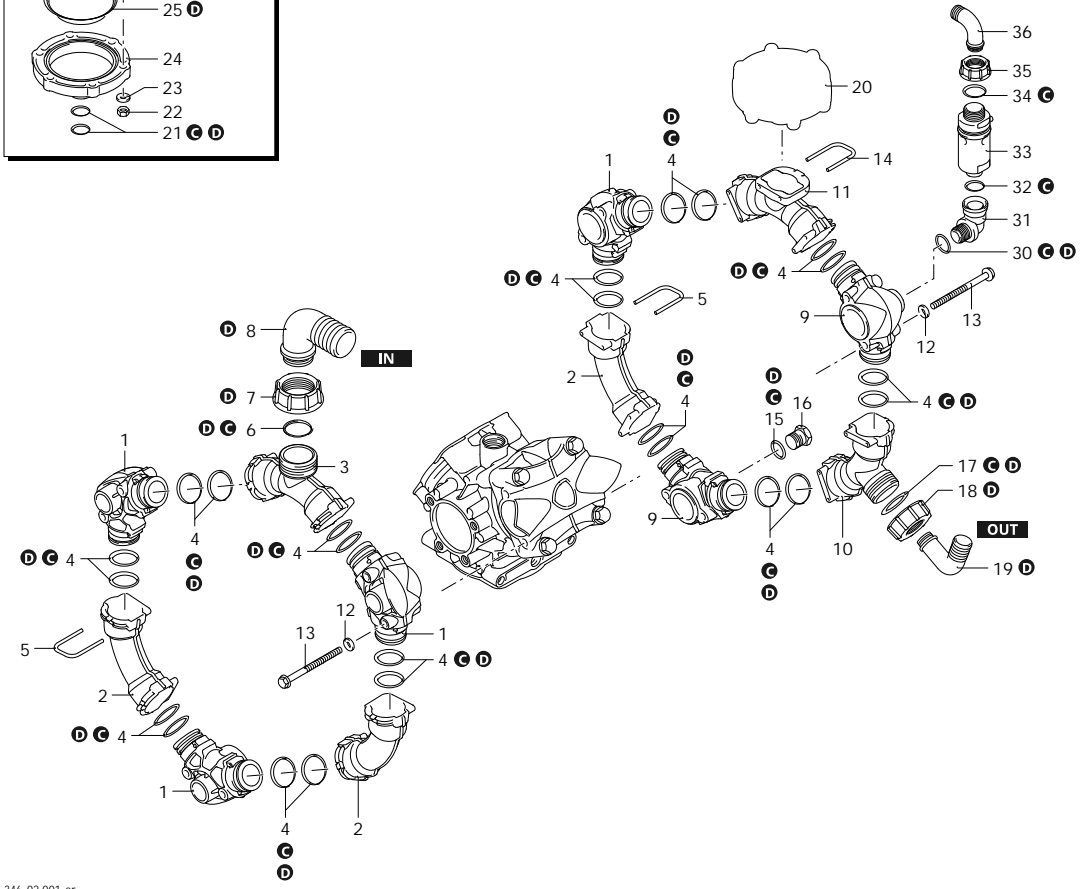
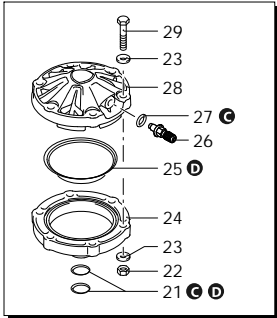
Date: 05/07/2024

Validity: < XX/YY = From week/year



AR 120 BP

1261 AR 120 BP C - NBR



346_02-001_ar

Customer: AR
Customer Code:



Revision: 1
Date: 05/07/2024

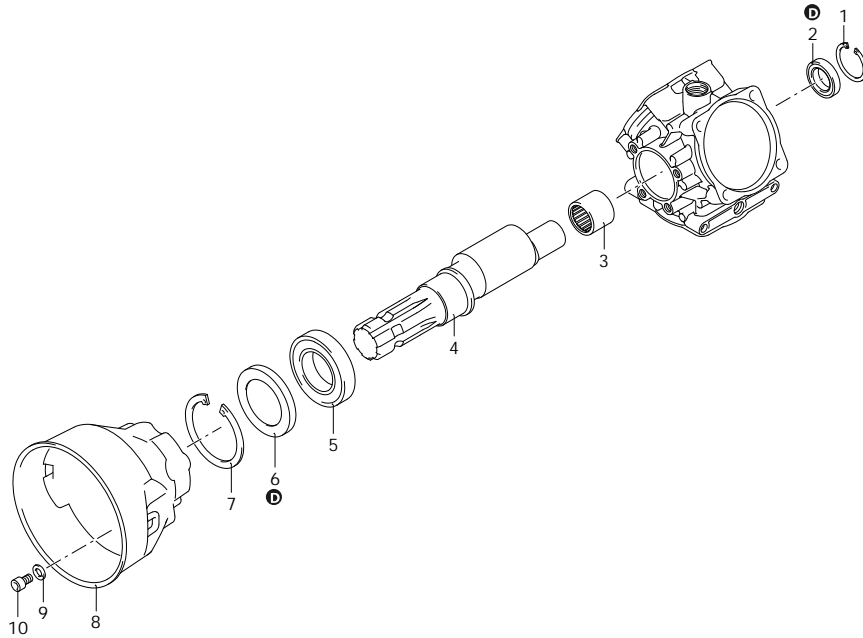
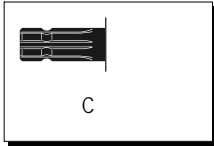
Code	Description	Q	Note	Validity
1	3460030 Line			4
2	3460040 Line			3
3	3460050 Line	intake		1
4	2680140 O-ring	Ø 32,93x3,53	24 Lubricate Molykote G-807	
5	3460210 Fork			12
6	390290 O-ring	Ø 29x3	1 Lubricate Molykote PG54	
7	750670 Ring nut	1" 1/2 G		1
8	50267 Elbow	Ø 40		1
9	3460031 Line			2
10	3460060 Line	delivery		1
11	3460070 Line			1
12	390314 Washer			12
13	3460200 Screw	TE M8x100	12 C=12Nm	
14	3460210 Fork			1
15	1140450 O-ring	Ø 20,24x2,62	1 Lubricate Molykote PG54	
16	3460220 Plug	1/2" G	1 C=10Nm	
17	550040 O-ring	Ø 26,65x2,62	1 Lubricate with motor oil	
18	651100 Ring nut	1" 1/4 G		1
19	651460 Elbow	Ø 25		1
20	1505 Air chamber	NBR		1
21	550040 O-ring	Ø 26,65x2,62	2 Lubricate with motor oil	
22	380242 Nut	M8	6 C=20Nm / Molykote 1000	
23	390314 Washer			12
24	3460180 Semi air chamber	lower		1
25	800190 Diaphragm	NBR - Øe 94		1
26	180020 Air valve		1 C=3Nm / Loxeal 55-14	
27	650542 Gasket		1 Lubricate with motor oil	
28	3460190 Semi air chamber	upper		1
29	621781 Screw	TE M8x40	6 C=20Nm / Molykote 1000	
30	651350 Gasket			1
31	3460320 Fitting	1/2" G (M-F)		1
32	180101 O-ring	Ø 17,5x2	1 Lubricate with motor oil	
33	1609000 Safety valve	20 bar	1 Loxeal 24-18	
34	880831 O-ring	Ø 15,54x2,62 Viton	1 Lubricate Molykote G-807	
35	550450 Ring nut	3/4" G		1
36	550460 Elbow	Ø 18		1
A	42805 Valve kit			1
B	2367 Diaphragms kit	NBR		1
C	42830 O-ring kit			1
D	42831 Maintenance repair kit	NBR		1

Validity: < XX/YY = From week/year



AR 120 BP

1261 AR 120 BP C - NBR



Code	Description		Q	Note	Validity
1	480900 Ring	seeger Øi 35	1		
2	1300230 Ring	seal	1	Lubricate with Mineral Grease	
3	3460110 Bearing		1	Press Mount	
4	3460160 Shaft	DT marked	1		
5	961781 Bearing		1	Press Mount	
6	3120160 Ring	seal	1	Lubricate with motor oil	
7	961790 Ring	seeger Øi 68	1		
8	3240290 Cardan protection		2		
9	320621 Washer		4		
10	820673 Screw	TCEI M10x16	4	C=10Nm	
A	42805 Valve kit		1		
B	2367 Diaphragms kit	NBR	1		
C	42830 O-ring kit		1		
D	42831 Maintenance repair kit	NBR	1		

346_03-001_ar

Customer: AR
Customer Code:



SAE 30
0,900 Kg

Revision: 1

Date: 05/07/2024

Validity: < XX/YY = From week/year