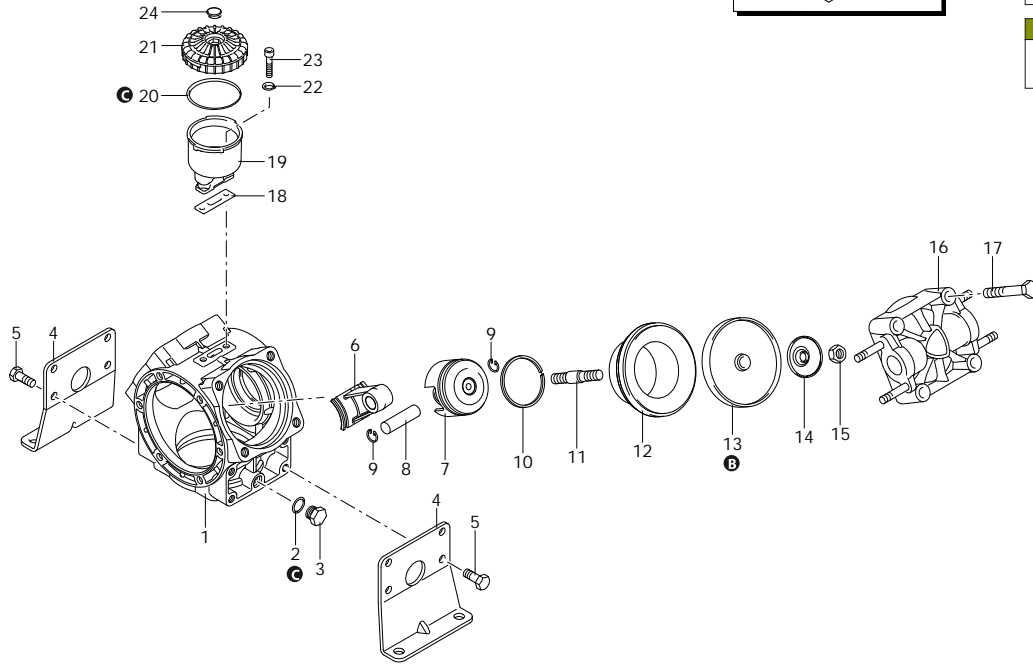
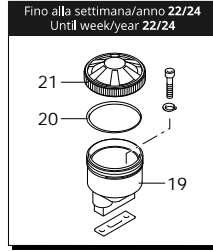




AR 125 BP

1218 AR 125 BP AP C/C - NBR



Code	Description	Q	Note	Validity
1	2420010 Pump body		1	
2	740290 O-ring	Ø 14x1,78	1 Lubricate Molykote PG54	
3	880530 Plug	3/8" G	1 C=20Nm	
4	2420041 Foot		2	
5	620341 Screw	TE M10x20	8	
6	2420070 Connecting-rod		3	
7	750122 Piston	Ø 80	3	
8	160700 Pin		3 Lubricate with Mineral Grease	
9	160691 Ring	seeger Øi 18	6	
10	500260 Piston ring		3	
11	2240100 Hub pin		3 C=30Nm / Loxeal 83-21	
12	750110 Sleeve		3	
13	550080 Diaphragm	NBR - Øe 115	3	
14	580090 Plate		3	
15	2240110 Nut	M10	3 C=25Nm	
16	751350 Head	plastic	3	
17	750061 Screw	TE M12x65	12 C=60Nm / Molykote 1000	
18	750040 Gasket		1 Seal with Arexons Mastic	
19	750030 Tank	threaded	1	< 22/24
19	750031 Tank	with bayonet	1	
20	1040060 O-ring	Ø 72,69x2,62	1 Lubricate Molykote Longterm W2	< 22/24
20	580230 O-ring	Ø 69,52x2,62	1	
21	1800060 Plug	threaded - black	1	< 22/24
21	4700620 Plug	with bayonet - black	1	
22	380243 Washer		2	
23	680350 Screw	TCEI M8x35	2 C=10Nm	
24	751780 Plug		1	
A	47458 Valve kit		1	
B	2367 Diaphragms kit	NBR	1	
C	2462 O-ring kit		1	
E	47207 Tank kit		1	

AR_01_004_v01

Customer: AR
Customer Code:



SAE 30
1,200 Kg

Revision: 1

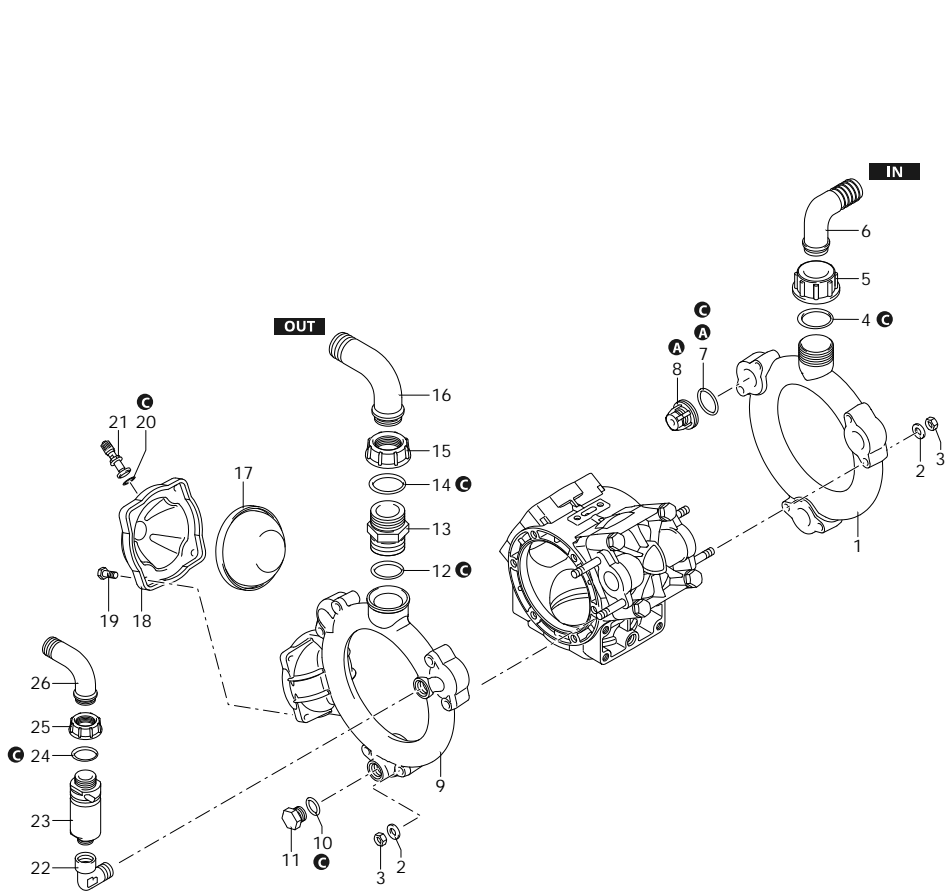
Date: 05/07/2024

Validity: < XX/YY = From week/year



AR 125 BP

1218 AR 125 BP AP C/C - NBR



Code	Description		Q	Note	Validity
1	2420390	Line		intake	1
2	380243	Washer			12
3	380242	Nut	M8		12 C=20Nm / Molykote 1000
4	390290	O-ring	Ø 29x3		1 Lubricate Molykote PG54
5	750670	Ring nut	1" 1/2 G		1
6	50267	Elbow	Ø 40		1
7	680070	O-ring	Ø 31,5x4,25		6 Lubricate with motor oil
8	759051	Valve			6
9	2420400	Line		delivery	1
10	180101	O-ring	Ø 17,5x2		1 Lubricate with motor oil
11	330173	Plug	1/2" G		1 C=20Nm / Loxeal 55-14
12	390210	O-ring	Ø 39,69x3,53		1 Lubricate with motor oil
13	760860	Fitting	1"1/4 G (M-M)		1
14	550040	O-ring	Ø 26,65x2,62		1 Lubricate with motor oil
15	651100	Ring nut	1" 1/4 G		1
16	651460	Elbow	Ø 25		1
17	550190	Diaphragm	NBR - Øe 110		1
17	550192	Diaphragm	Viton - Øe 110		1
17	550194	Diaphragm	BlueFlex - Øe 110		1
18	550233	Semi air chamber	upper		1
19	550680	Screw	TE M8x20		4 C=20Nm
20	650542	Gasket			1 Lubricate with motor oil
21	550300	Air valve			1 C=3Nm
22	881560	Fitting	1/2" G (M-F)		1 C=20Nm / Loxeal 83-21
23	1609000	Safety valve	20 bar		1 Loxeal 24-18
24	880831	O-ring	Ø 15,54x2,62 Viton		1 Lubricate Molykote G-807
25	550450	Ring nut	3/4" G		1
26	550460	Elbow	Ø 18		1
A	47458	Valve kit			1
B	2367	Diaphragms kit	NBR		1
C	2462	O-ring kit			1

AR_02_003_v01

Customer: AR
Customer Code:



SAE 30
1,200 Kg

Revision: 1

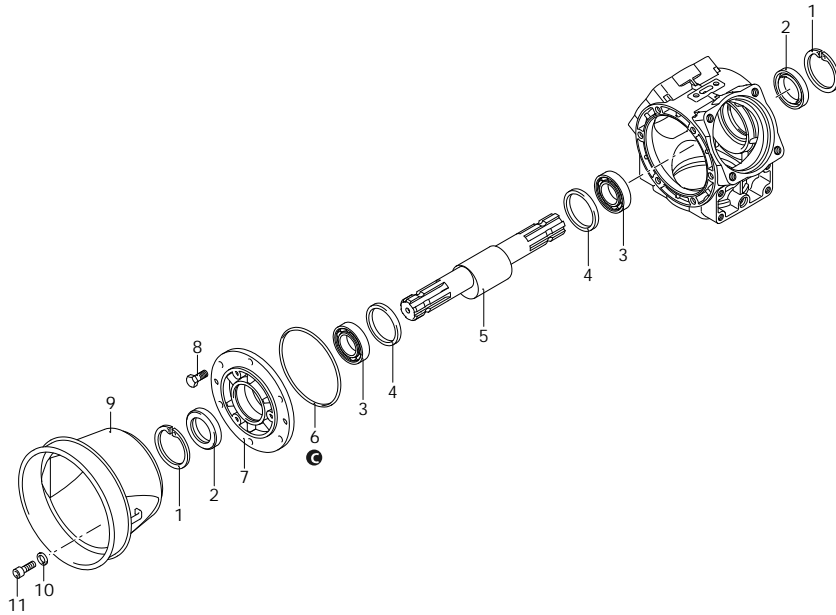
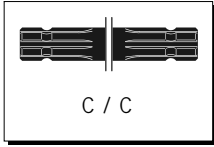
Date: 05/07/2024

Validity: < XX/YY = From week/year



AR 125 BP

1218 AR 125 BP AP C/C - NBR



Code	Description		Q	Note	Validity
1	200390 Ring	seeger Øi 62	2		
2	751990 Ring	seal	2	Lubricate with Mineral Grease	
3	230350 Bearing		2	Press Mount	
4	2420080 Ring	Connecting-rod	2	Lubricate with motor oil	
5	2420060 Shaft	BB marked	1		
6	851360 O-ring	Ø 120,32x2,62	1	Lubricate Molykote Longterm W2	
7	680020 Support		1	Lubricate with Mineral Grease	
8	160672 Screw	TE M10x25	6	C=35Nm / Loxeal 55-14	
9	1500470 Cardan protection	Ø 239 mm	1		
10	390314 Washer		3		
11	850251 Screw	TCEI M8x12	3	C=10Nm	
A	47458 Valve kit		1		
B	2367 Diaphragms kit	NBR	1		
C	2462 O-ring kit		1		

AR_03_013_v01

Customer: AR
Customer Code:



SAE 30
1,200 Kg

Revision: 1

Date: 05/07/2024

Validity: < XX/YY = From week/year