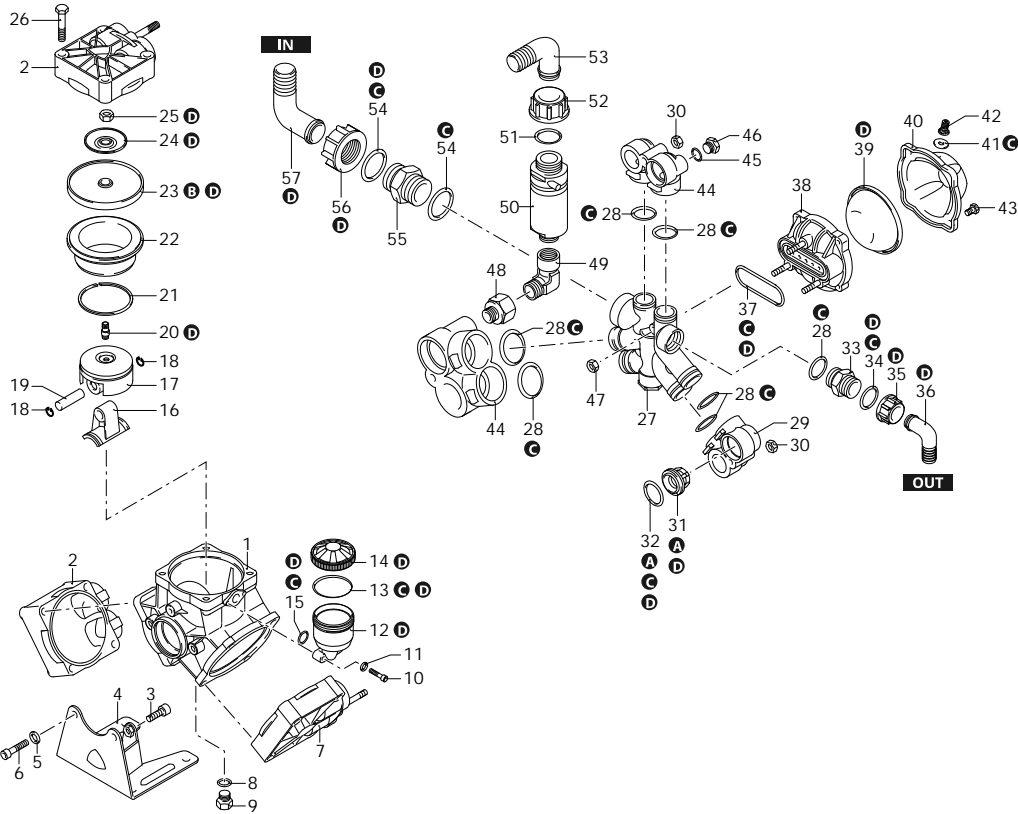




AR 135 BP

32024 AR 135 BP C - BlueFlex



58_01-001_ar

Customer: AR
Customer Code:



SAE 30
1,000 Kg

Revision: 1

Date: 05/07/2024

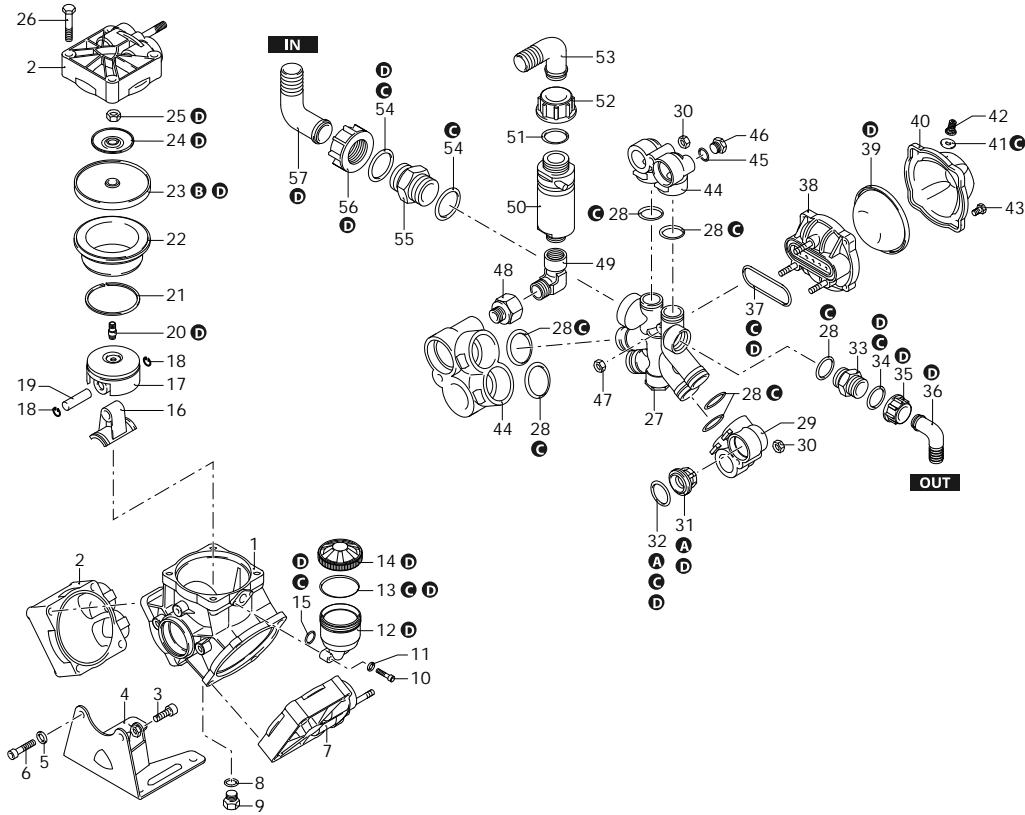
Validity: < XX/YY = From week/year

Code	Description	Q	Note	Validity
1	580013 Pump body			1
2	550101 Head	dx		2
3	540301 Screw	TCEI M10x30		1 C=40Nm
4	580080 Foot			1
5	320621 Washer			2
6	620472 Screw	TCEI M10x20		2 C=30Nm
7	550102 Head	sx		1
8	740290 O-ring	Ø 14x1,78		1 Lubricate Molykote PG54
9	880530 Plug	3/8" G		1 C=20Nm
10	850851 Screw	TCEI M6x30		2 C=10Nm
11	550332 Washer			2
12	1040310 Tank			1
13	650920 O-ring	Ø 53,65x2,62		1 Lubricate with Mineral Grease
14	1040324 Plug	red		1
15	390180 O-ring	Ø 18,72x2,62		1 Lubricate with motor oil
16	580140 Connecting-rod			3 Lubricate with motor oil
17	580120 Piston	Ø 80		3
18	380080 Ring	seeger Øi 14		6
19	380300 Pin			3 Lubricate with Mineral Grease
20	2240100 Hub pin			3 C=30Nm / Loxeal 83-21
21	500260 Piston ring			3
22	580350 Sleeve			3
23	550081 Diaphragm	BlueFlex - Øe 115		3
24	580371 Plate	Ø 10		3
25	2240110 Nut	M10		3 C=25Nm
26	551040 Screw	TE M10x55		12 C=40Nm
27	580150 Line	intake/delivery		1
28	390291 O-ring	Ø 28,25x2,62		7 Lubricate Molykote G-807
29	580072 Fitting			1
30	180152 Nut	M10		3
31	759054 Valve			6
32	320030 O-ring	Ø 31,5x4,5		6 Lubricate with Mineral Grease
33	550340 Fitting	1" G (M-M)		1
34	550350 O-ring	Ø 23,81x2,62		1 Lubricate with Mineral Grease
35	550880 Ring nut	1" G		1
36	550370 Elbow	Ø 25		1
37	580050 Gasket			1 Lubricate with motor oil
38	580180 Semi air chamber	lower		1
39	550194 Diaphragm	BlueFlex - Øe 110		1
40	550233 Semi air chamber	upper		1
41	650542 Gasket			1 Lubricate with motor oil
42	550300 Air valve			1 C=3Nm
43	550680 Screw	TE M8x20		4 C=20Nm
44	580400 Fitting			2
45	180101 O-ring	Ø 17,5x2		1 Lubricate with motor oil
46	330173 Plug	1/2" G		1 C=20Nm / Loxeal 55-14



AR 135 BP

32024 AR 135 BP C - BlueFlex



Code	Description	Q	Note	Validity
------	-------------	---	------	----------

47	390271 Nut	M8	3 C=20Nm	
48	580421 Fitting	1/2" G (M-F)	1 C=20Nm / Loxeal 83-21	
49	881560 Fitting	1/2" G (M-F)	1 C=20Nm / Loxeal 83-21	
50	1609000 Safety valve	20 bar	1 Loxeal 24-18	
51	880831 O-ring	Ø 15,54x2,62 Viton	1 Lubricate Molykote G-807	
52	550450 Ring nut	3/4" G	1	
53	550460 Elbow	Ø 18	1	
54	250310 O-ring	Ø 36,14x2,62	2 Lubricate with motor oil	
55	540530 Fitting	1"1/4 G - 1"3/4 G (M-M)	C=20Nm	
56	540541 Ring nut	1" 3/4 G	1	
57	540550 Elbow	Ø 40	1	
A	2370 Valve kit		1	
B	43085 Diaphragms kit	BlueFlex	1	
C	2026 O-ring kit		1	
D	43131 Maintenance repair kit	NBR	1	
E	47190 Tank kit		1	

58_01-001_ar

Customer: AR
Customer Code:



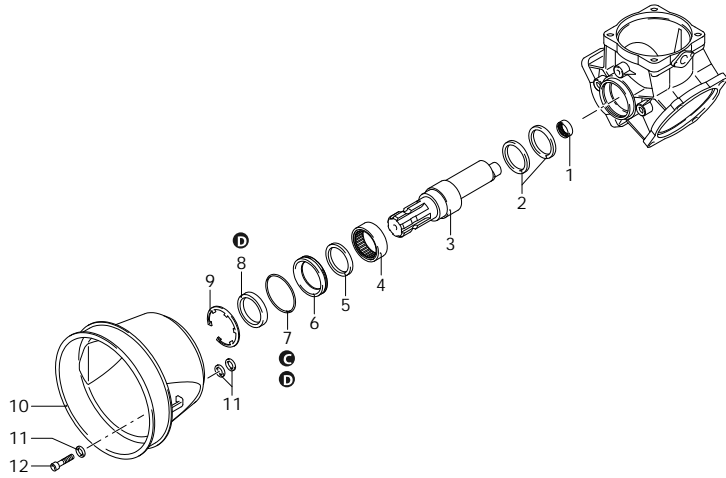
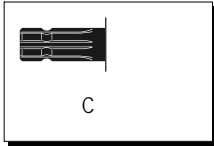
Revision: 1
Date: 05/07/2024

Validity: < XX/YY = From week/year



AR 135 BP

32024 AR 135 BP C - BlueFlex



Code	Description	Q	Note	Validity
1	550310 Bushing			1
2	580470 Ring	Connecting-rod		2 Lubricate with motor oil
3	580330 Shaft	AS marked		1
4	550060 Bushing			1 Press Mount
5	550070 Washer			1
6	550470 Bushing			1
7	650920 O-ring	Ø 53,65x2,62		1 Lubricate with Mineral Grease
8	550491 Ring	seal		1 Lubricate with Mineral Grease
9	200391 Ring	seeger Øi 62		1
10	1500350 Cardan protection	ø 199 mm		1
11	320621 Washer			3
12	850851 Screw	TCEI M6x30		1 C=10Nm
A	2370 Valve kit			1
B	43085 Diaphragms kit	BlueFlex		1
C	2026 O-ring kit			1
D	43131 Maintenance repair kit	NBR		1

58_03-001_ar

Customer: AR
Customer Code:



SAE 30
1,000 Kg

Revision: 1

Date: 05/07/2024

Validity: < XX/YY = From week/year