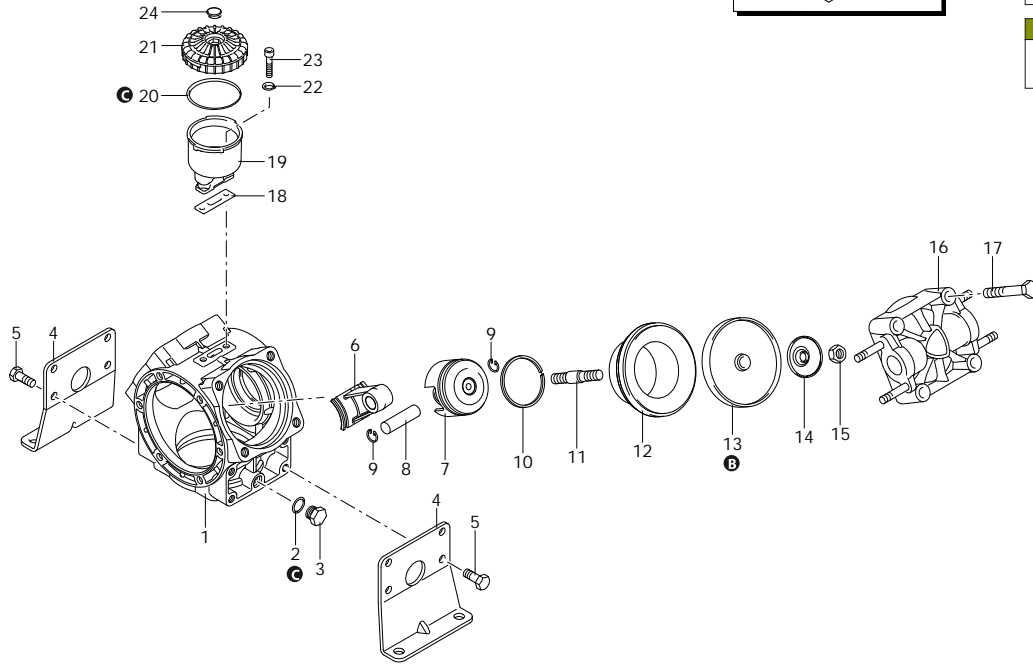
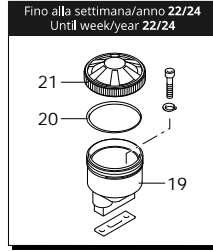




# AR 145 BP

1219 AR 145 BP AP C/C - NBR



| Code | Description            | Q                    | Note                             | Validity |
|------|------------------------|----------------------|----------------------------------|----------|
| 1    | 2420010 Pump body      |                      | 1                                |          |
| 2    | 740290 O-ring          | Ø 14x1,78            | 1 Lubricate Molykote PG54        |          |
| 3    | 880530 Plug            | 3/8" G               | 1 C=20Nm                         |          |
| 4    | 2420041 Foot           |                      | 2                                |          |
| 5    | 620341 Screw           | TE M10x20            | 8                                |          |
| 6    | 2420070 Connecting-rod |                      | 3                                |          |
| 7    | 750122 Piston          | Ø 80                 | 3                                |          |
| 8    | 160700 Pin             |                      | 3 Lubricate with Mineral Grease  |          |
| 9    | 160691 Ring            | seeger Øi 18         | 6                                |          |
| 10   | 500260 Piston ring     |                      | 3                                |          |
| 11   | 2240100 Hub pin        |                      | 3 C=30Nm / Loxeal 83-21          |          |
| 12   | 750115 Sleeve          |                      | 3                                |          |
| 13   | 550080 Diaphragm       | NBR - Øe 115         | 3                                |          |
| 14   | 580090 Plate           |                      | 3                                |          |
| 15   | 2240110 Nut            | M10                  | 3 C=25Nm                         |          |
| 16   | 751350 Head            | plastic              | 3                                |          |
| 17   | 750061 Screw           | TE M12x65            | 12 C=60Nm / Molykote 1000        |          |
| 18   | 750040 Gasket          |                      | 1 Seal with Arexons Mastic       |          |
| 19   | 750030 Tank            | threaded             | 1                                | < 22/24  |
| 19   | 750031 Tank            | with bayonet         | 1                                |          |
| 20   | 1040060 O-ring         | Ø 72,69x2,62         | 1 Lubricate Molykote Longterm W2 | < 22/24  |
| 20   | 580230 O-ring          | Ø 69,52x2,62         | 1                                |          |
| 21   | 750050 Plug            | threaded - red       | 1                                | < 22/24  |
| 21   | 4700620 Plug           | with bayonet - black | 1                                |          |
| 22   | 380243 Washer          |                      | 2                                |          |
| 23   | 680350 Screw           | TCEI M8x35           | 2 C=10Nm                         |          |
| 24   | 751780 Plug            |                      | 1                                |          |
| A    | 47458 Valve kit        |                      | 1                                |          |
| B    | 2367 Diaphragms kit    | NBR                  | 1                                |          |
| C    | 2462 O-ring kit        |                      | 1                                |          |
| E    | 47207 Tank kit         |                      | 1                                |          |

AR\_01\_004\_v01

Customer: AR  
Customer Code:



SAE 30  
1,200 Kg

Revision: 1

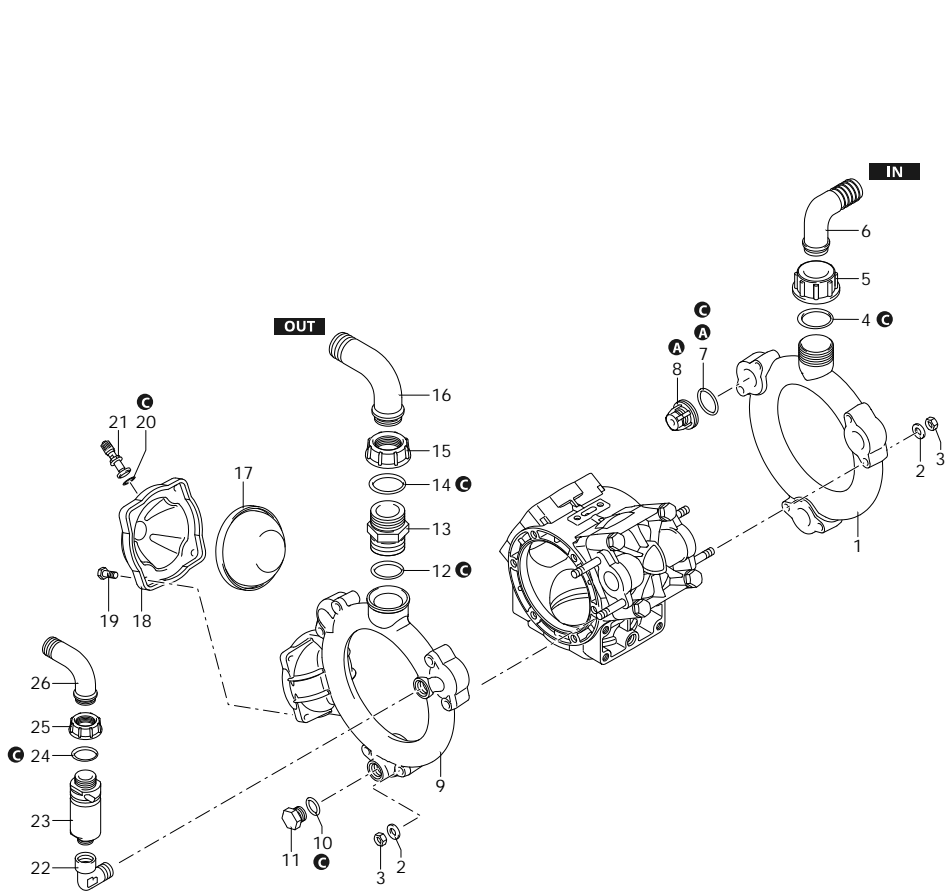
Date: 05/07/2024

Validity: < XX/YY = From week/year



# AR 145 BP

1219 AR 145 BP AP C/C - NBR



| Code | Description |                  | Q                  | Note     | Validity                   |
|------|-------------|------------------|--------------------|----------|----------------------------|
| 1    | 2420390     | Line             |                    | intake   | 1                          |
| 2    | 380243      | Washer           |                    |          | 12                         |
| 3    | 380242      | Nut              | M8                 |          | 12 C=20Nm / Molykote 1000  |
| 4    | 390290      | O-ring           | Ø 29x3             |          | 1 Lubricate Molykote PG54  |
| 5    | 750670      | Ring nut         | 1" 1/2 G           |          | 1                          |
| 6    | 50267       | Elbow            | Ø 40               |          | 1                          |
| 7    | 680070      | O-ring           | Ø 31,5x4,25        |          | 6 Lubricate with motor oil |
| 8    | 759051      | Valve            |                    |          | 6                          |
| 9    | 2420400     | Line             |                    | delivery | 1                          |
| 10   | 180101      | O-ring           | Ø 17,5x2           |          | 1 Lubricate with motor oil |
| 11   | 330173      | Plug             | 1/2" G             |          | 1 C=20Nm / Loxeal 55-14    |
| 12   | 390210      | O-ring           | Ø 39,69x3,53       |          | 1 Lubricate with motor oil |
| 13   | 760860      | Fitting          | 1"1/4 G (M-M)      |          | 1                          |
| 14   | 550040      | O-ring           | Ø 26,65x2,62       |          | 1 Lubricate with motor oil |
| 15   | 651100      | Ring nut         | 1" 1/4 G           |          | 1                          |
| 16   | 651460      | Elbow            | Ø 25               |          | 1                          |
| 17   | 550190      | Diaphragm        | NBR - Øe 110       |          | 1                          |
| 17   | 550192      | Diaphragm        | Viton - Øe 110     |          | 1                          |
| 17   | 550194      | Diaphragm        | BlueFlex - Øe 110  |          | 1                          |
| 18   | 550233      | Semi air chamber | upper              |          | 1                          |
| 19   | 550680      | Screw            | TE M8x20           |          | 4 C=20Nm                   |
| 20   | 650542      | Gasket           |                    |          | 1 Lubricate with motor oil |
| 21   | 550300      | Air valve        |                    |          | 1 C=3Nm                    |
| 22   | 881560      | Fitting          | 1/2" G (M-F)       |          | 1 C=20Nm / Loxeal 83-21    |
| 23   | 1609000     | Safety valve     | 20 bar             |          | 1 Loxeal 24-18             |
| 24   | 880831      | O-ring           | Ø 15,54x2,62 Viton |          | 1 Lubricate Molykote G-807 |
| 25   | 550450      | Ring nut         | 3/4" G             |          | 1                          |
| 26   | 550460      | Elbow            | Ø 18               |          | 1                          |
| A    | 47458       | Valve kit        |                    |          | 1                          |
| B    | 2367        | Diaphragms kit   | NBR                |          | 1                          |
| C    | 2462        | O-ring kit       |                    |          | 1                          |

AR\_02\_003\_v01

Customer: AR  
Customer Code:



SAE 30  
1,200 Kg

Revision: 1

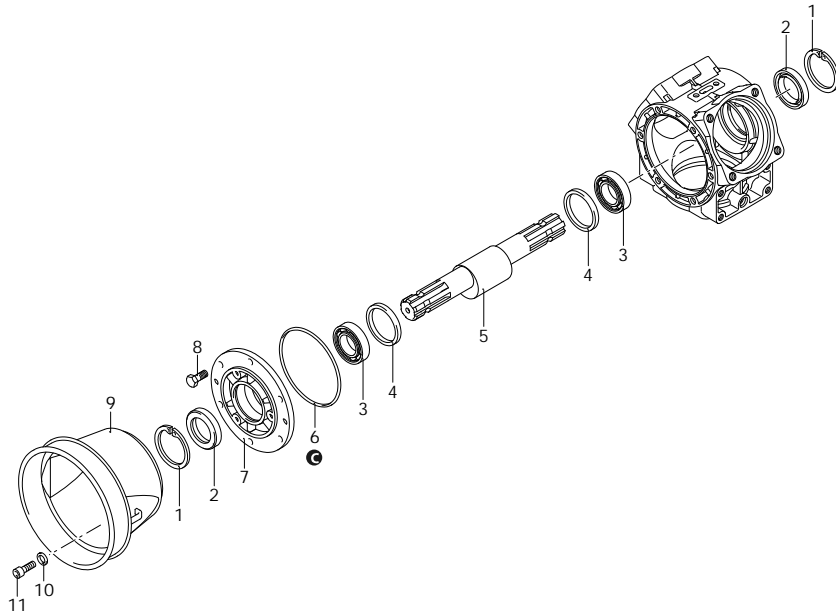
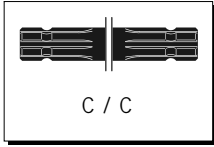
Date: 05/07/2024

Validity: < XX/YY = From week/year



# AR 145 BP

1219 AR 145 BP AP C/C - NBR



| Code | Description               |                | Q | Note                           | Validity |
|------|---------------------------|----------------|---|--------------------------------|----------|
| 1    | 200390 Ring               | seeger Øi 62   | 2 |                                |          |
| 2    | 751990 Ring               | seal           | 2 | Lubricate with Mineral Grease  |          |
| 3    | 230350 Bearing            |                | 2 | Press Mount                    |          |
| 4    | 2420080 Ring              | Connecting-rod | 2 | Lubricate with motor oil       |          |
| 5    | 2420050 Shaft             | AW marked      | 1 |                                |          |
| 6    | 851360 O-ring             | Ø 120,32x2,62  | 1 | Lubricate Molykote Longterm W2 |          |
| 7    | 680020 Support            |                | 1 | Lubricate with Mineral Grease  |          |
| 8    | 160672 Screw              | TE M10x25      | 6 | C=35Nm / Loxeal 55-14          |          |
| 9    | 1500470 Cardan protection | Ø 239 mm       | 1 |                                |          |
| 10   | 390314 Washer             |                | 3 |                                |          |
| 11   | 850251 Screw              | TCEI M8x12     | 3 | C=10Nm                         |          |
| A    | 47458 Valve kit           |                | 1 |                                |          |
| B    | 2367 Diaphragms kit       | NBR            | 1 |                                |          |
| C    | 2462 O-ring kit           |                | 1 |                                |          |

AR\_03\_013\_v01

Customer: AR  
Customer Code:



SAE 30  
1,200 Kg

Revision: 1

Date: 05/07/2024

Validity: < XX/YY = From week/year