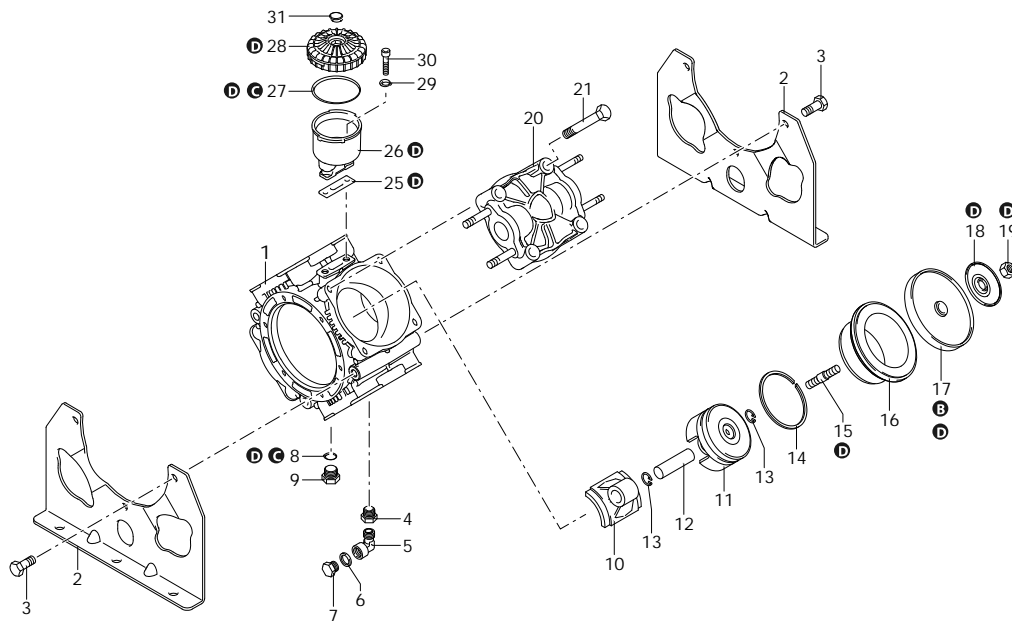
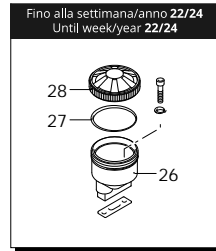




AR 160 BP

1209 AR 160 BP AP C/C - NBR



Code	Description	Q	Note	Validity
1	761010 Pump body	1		
2	761031 Foot	2		
3	160672 Screw	TE M10x25	6 C=35Nm / Loxeal 55-14	
4	1040491 Fitting	3/8" G (M-F)	1 C=20Nm / Loxeal 83-21	
5	900210 Fitting	3/8" G (M-F)	1 Loxeal 83-21	
6	2260200 Washer		1	
7	2281270 Plug	3/8" G	1 C=20Nm / Loxeal 55-14	
8	740290 O-ring	Ø 14x1,78	1 Lubricate Molykote PG54	
9	880530 Plug	3/8" G	1 C=20Nm	
10	760140 Connecting-rod		4 Lubricate with motor oil	
11	750122 Piston	Ø 80	4	
12	160700 Pin		4 Lubricate with Mineral Grease	
13	160691 Ring	seeger Øi 18	8	
14	500260 Piston ring		4	
15	2240100 Hub pin		4 C=30Nm / Loxeal 83-21	
16	750110 Sleeve		4	
17	550080 Diaphragm	NBR - Øe 115	4	
18	751250 Plate		4	
19	2240110 Nut	M10	4 C=25Nm	
20	751350 Head	plastic	4	
21	750061 Screw	TE M12x65	16 C=60Nm / Molykote 1000	
25	750040 Gasket		1 Seal with Arexons Mastic	
26	750030 Tank	threaded	1	< 22/24
26	750031 Tank	with bayonet	1	
27	1040060 O-ring	Ø 72,69x2,62	1 Lubricate Molykote Longterm W2	< 22/24
27	580230 O-ring	Ø 69,52x2,62	1	
28	1800060 Plug	threaded - black	1	< 22/24
28	4700620 Plug	with bayonet - black	1	
29	380243 Washer		2	
30	680350 Screw	TCEI M8x35	2 C=10Nm	
31	751780 Plug		1	
A	47407 Valve kit		1	
B	2371 Diaphragms kit	NBR	1	
C	42510 O-ring kit		1	
D	42511 Maintenance repair kit	NBR	1	
E	47207 Tank kit		1	

76_01-001_ar

Customer: AR
Customer Code:



SAE 30
1,400 Kg

Revision: 1

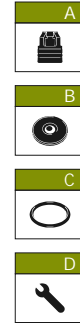
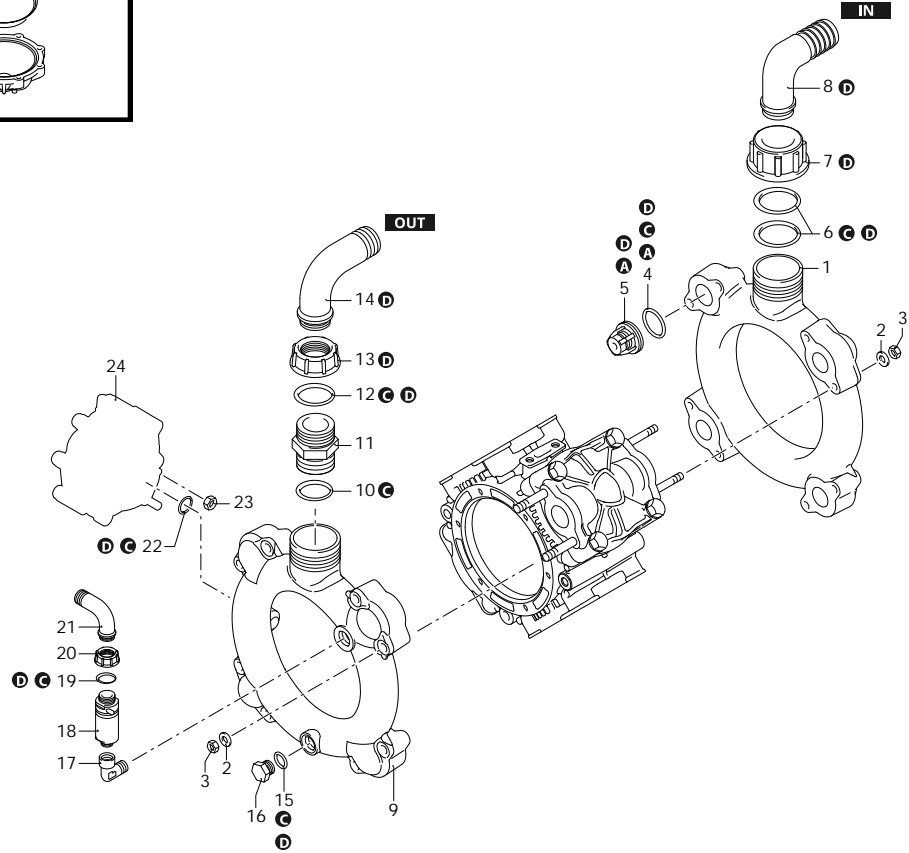
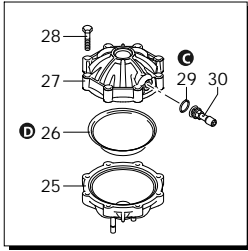
Date: 05/07/2024

Validity: < XX/YY = From week/year



AR 160 BP

1209 AR 160 BP AP C/C - NBR



Code	Description		Q	Note	Validity
1	760750	Line		intake	1
2	380243	Washer			16
3	380242	Nut	M8		16 C=20Nm / Molykote 1000
4	680070	O-ring	Ø 31,5x4,25		8 Lubricate with motor oil
5	759051	Valve			8
6	3040470	O-ring	Ø 39,3x2,62		2 Lubricate with motor oil
7	3040450	Ring nut	2" G		1
8	3040430	Elbow	Ø 40		1
9	760760	Line		delivery	1
10	751140	O-ring	Ø 47,22x3,53		1 Lubricate with motor oil
11	751130	Fitting	1"1/2 G (M-M)		1 C=10Nm
12	390290	O-ring	Ø 29x3		1 Lubricate Molykote PG54
13	750670	Ring nut	1" 1/2 G		1
14	760930	Elbow	Ø 25		1
15	180101	O-ring	Ø 17,5x2		1 Lubricate with motor oil
16	330173	Plug	1/2" G		1 C=20Nm / Loxeal 55-14
17	881560	Fitting	1/2" G (M-F)		1 C=20Nm / Loxeal 83-21
18	1609000	Safety valve	20 bar		1 Loxeal 24-18
19	880831	O-ring	Ø 15,54x2,62 Viton		1 Lubricate Molykote G-807
20	550450	Ring nut	3/4" G		1
21	550460	Elbow	Ø 18		1
22	390290	O-ring	Ø 29x3		1 Lubricate Molykote PG54
23	380242	Nut	M8		2 C=20Nm / Molykote 1000
24	629216	Air chamber	NBR		1
25	680180	Semi air chamber	lower		1
26	550190	Diaphragm	NBR - Øe 110		1
27	620232	Semi air chamber	upper		1
28	621781	Screw	TE M8x40		1 C=20Nm / Molykote 1000
29	650542	Gasket			1 Lubricate with motor oil
30	180020	Air valve			1 C=3Nm / Loxeal 55-14
A	47407	Valve kit			1
B	2371	Diaphragms kit	NBR		1
C	42510	O-ring kit			1
D	42511	Maintenance repair kit	NBR		1

76_02-001_ar

Customer: AR
Customer Code:



SAE 30
1,400 Kg

Revision: 1

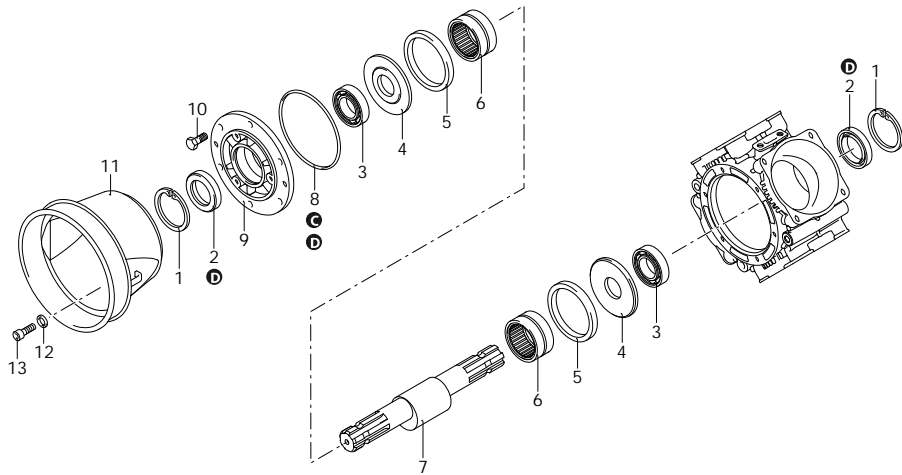
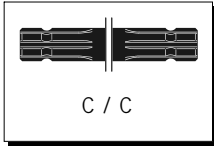
Date: 05/07/2024

Validity: < XX/YY = From week/year



AR 160 BP

1209 AR 160 BP AP C/C - NBR



Code	Description		Q	Note	Validity
1	200390 Ring	seeger Øi 62	2		
2	751990 Ring	seal	2	Lubricate with Mineral Grease	
3	230350 Bearing		2	Press Mount	
4	540040 Plate		2	Lubricate with motor oil	
5	750130 Ring		2	Lubricate with motor oil	
6	750090 Bearing		2		
7	750170 Shaft	AU marked	1		
8	851360 O-ring	Ø 120,32x2,62	1	Lubricate Molykote Longterm W2	
9	680020 Support		1	Lubricate with Mineral Grease	
10	160672 Screw	TE M10x25	6	C=35Nm / Loxeal 55-14	
11	1500470 Cardan protection	Ø 239 mm	1		
12	390314 Washer		3		
13	850251 Screw	TCEI M8x12	3	C=10Nm	
A	47407 Valve kit		1		
B	2371 Diaphragms kit	NBR	1		
C	42510 O-ring kit		1		
D	42511 Maintenance repair kit	NBR	1		

76_03-001_ar

Customer: AR
Customer Code:



SAE 30
1,400 Kg

Revision: 1

Date: 05/07/2024

Validity: < XX/YY = From week/year