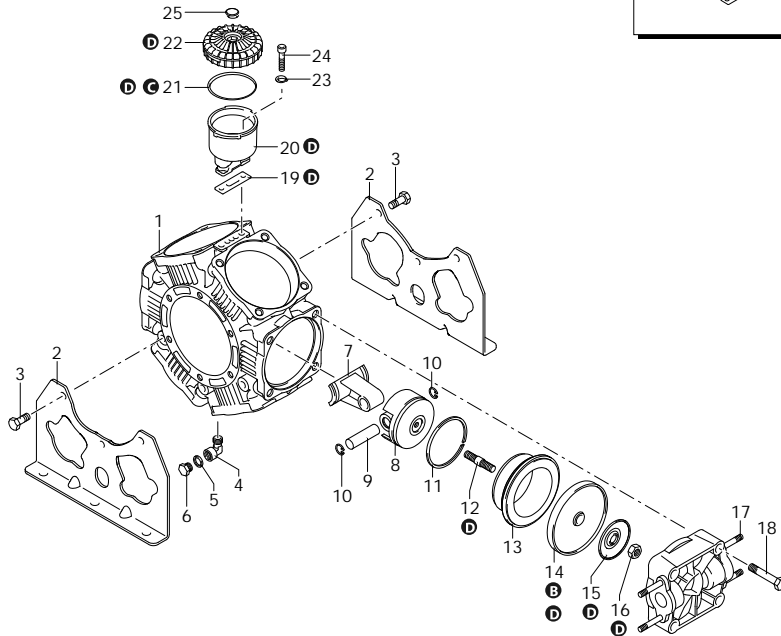
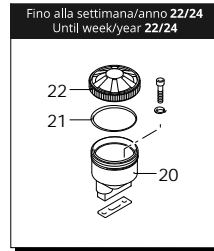




AR 215 BP

1212 AR 215 BP AP C/C - NBR



Code	Description	Q	Note	Validity
1	751300 Pump body	1		
2	751291 Foot	2		
3	160672 Screw	TE M10x25	6 C=35Nm / Loxeal 55-14	
4	750370 Fitting	1/4" G (M-F)	1 Loxeal 83-21	
5	880820 Washer		1	
6	880581 Plug	1/4" G	1 C=20Nm / Loxeal 24-18	
7	750140 Connecting-rod		6	
8	750122 Piston	Ø 80	6	
9	160700 Pin		6 Lubricate with Mineral Grease	
10	160691 Ring	seeger Øi 18	12	
11	500260 Piston ring		6	
12	2240100 Hub pin		6 C=30Nm / Loxeal 83-21	
13	750117 Sleeve		6	
14	550080 Diaphragm	NBR - Øe 115	6	
15	751250 Plate		6	
16	2240110 Nut	M10	6 C=25Nm	
17	751350 Head	plastic	6	
18	750061 Screw	TE M12x65	24 C=60Nm / Molykote 1000	
19	750040 Gasket		1 Seal with Arexons Mastic	
20	750030 Tank	threaded	1	< 22/24
20	750031 Tank	with bayonet	1	
21	1040060 O-ring	Ø 72,69x2,62	1 Lubricate Molykote Longterm W2	< 22/24
21	580230 O-ring	Ø 69,52x2,62	1	
22	750051 Plug	threaded - green	1	< 22/24
22	4700621 Plug	with bayonet - green	1	
23	380243 Washer		2	
24	680350 Screw	TCEI M8x35	2 C=10Nm	
25	751780 Plug		1	
A	47397 Valve kit		1	
B	1926 Diaphragms kit	NBR	1	
C	42513 O-ring kit		1	
D	42515 Maintenance repair kit	NBR	1	
E	47207 Tank kit		1	

AR_01_001_v01

Customer: AR
Customer Code:



SAE 30
2,400 Kg

Revision: 1

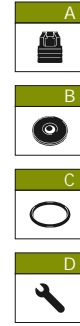
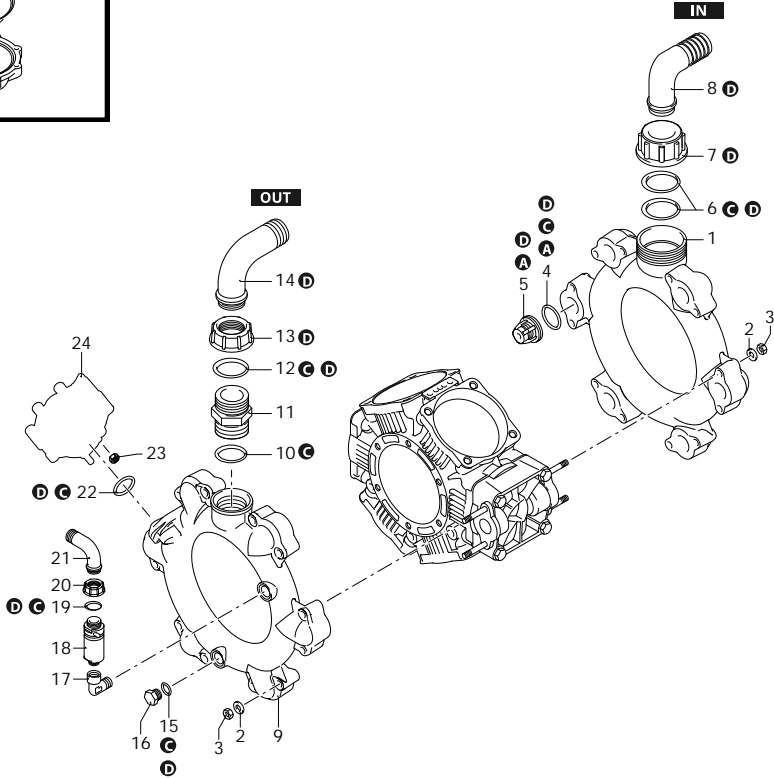
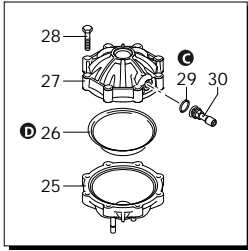
Date: 05/07/2024

Validity: < XX/YY = From week/year



AR 215 BP

1212 AR 215 BP AP C/C - NBR



Code	Description		Q	Note	Validity
1	751070	Line		intake	1
2	380243	Washer			24
3	380242	Nut	M8		24 C=20Nm / Molykote 1000
4	680070	O-ring	Ø 31,5x4,25		12 Lubricate with motor oil
5	759051	Valve			12
6	750740	O-ring	Ø 56,74x3,53		2 Lubricate Molykote PG54
7	750710	Ring nut	2" 1/2 G		1
8	750850	Elbow	Ø 50		1
9	751080	Line		delivery	1
10	751140	O-ring	Ø 47,22x3,53		1 Lubricate with motor oil
11	751130	Fitting	1"1/2 G (M-M)		1 C=10Nm
12	390290	O-ring	Ø 29x3		1 Lubricate Molykote PG54
13	750670	Ring nut	1" 1/2 G		1
14	3040160	Elbow	Ø 35		1
15	180101	O-ring	Ø 17,5x2		1 Lubricate with motor oil
16	330173	Plug	1/2" G		1 C=20Nm / Loxeal 55-14
17	881560	Fitting	1/2" G (M-F)		1 C=20Nm / Loxeal 83-21
18	1609000	Safety valve	20 bar		1 Loxeal 24-18
19	880831	O-ring	Ø 15,54x2,62 Viton		1 Lubricate Molykote G-807
20	550450	Ring nut	3/4" G		1
21	550460	Elbow	Ø 18		1
22	390290	O-ring	Ø 29x3		1 Lubricate Molykote PG54
23	380242	Nut	M8		2 C=20Nm / Molykote 1000
24	629216	Air chamber	NBR		1
25	680180	Semi air chamber	lower		1
26	550190	Diaphragm	NBR - Øe 110		1
27	620232	Semi air chamber	upper		1
28	621781	Screw	TE M8x40		8 C=20Nm / Molykote 1000
29	650542	Gasket			1 Lubricate with motor oil
30	180020	Air valve			1 C=3Nm / Loxeal 55-14
A	47397	Valve kit			1
B	1926	Diaphragms kit	NBR		1
C	42513	O-ring kit			1
D	42515	Maintenance repair kit	NBR		1

AR_02_001_v01

Customer: AR
Customer Code:



SAE 30
2,400 Kg

Revision: 1

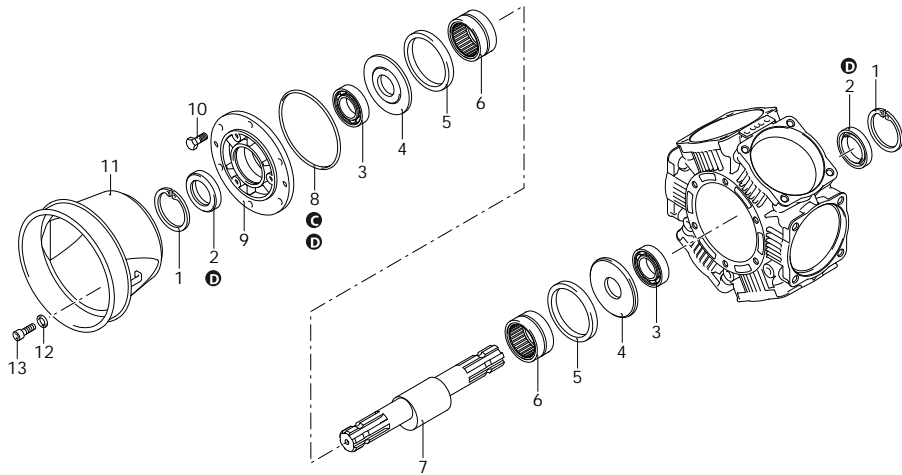
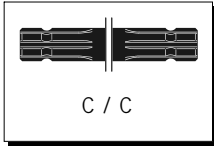
Date: 05/07/2024

Validity: < XX/YY = From week/year



AR 215 BP

1212 AR 215 BP AP C/C - NBR



Code	Description		Q	Note	Validity
1	200390 Ring	seeger Øi 62	2		
2	751990 Ring	seal	2	Lubricate with Mineral Grease	
3	751280 Bearing		2	Press Mount	
4	540040 Plate		2	Lubricate with motor oil	
5	750130 Ring		2	Lubricate with motor oil	
6	750090 Bearing		2		
7	750176 Shaft	AZ marked	1		
8	851360 O-ring	Ø 120,32x2,62	1	Lubricate Molykote Longterm W2	
9	680020 Support		1	Lubricate with Mineral Grease	
10	160672 Screw	TE M10x25	6	C=35Nm / Loxeal 55-14	
11	1500470 Cardan protection	Ø 239 mm	1		
12	390314 Washer		3		
13	850251 Screw	TCEI M8x12	3	C=10Nm	
A	47397 Valve kit		1		
B	1926 Diaphragms kit	NBR	1		
C	42513 O-ring kit		1		
D	42515 Maintenance repair kit	NBR	1		

AR_001-03_001_v01

Customer: AR
Customer Code:



SAE 30
2,400 Kg

Revision: 1

Date: 05/07/2024

Validity: < XX/YY = From week/year