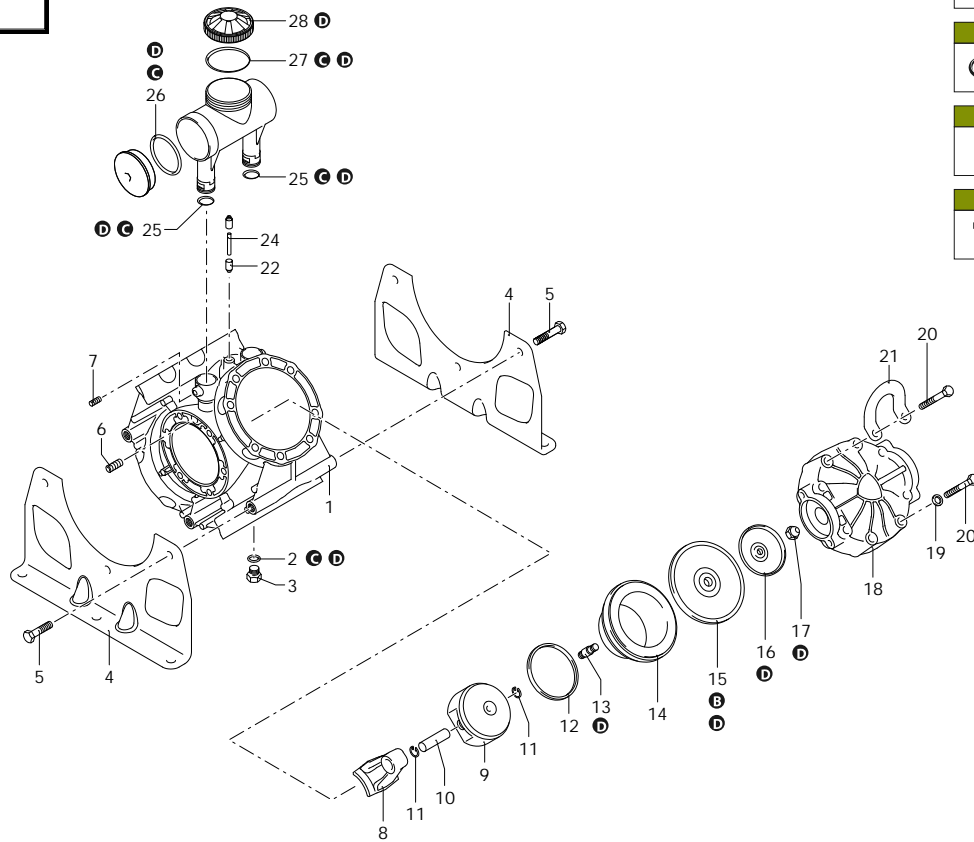
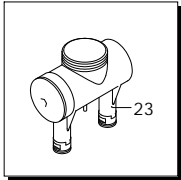




AR 380 BP

1271 AR 380 BP AP C/C - NBR



Code	Description	Q	Note	Validity
1	3280010 Pump body			1
2	180101 O-ring	Ø 17,5x2	1 Lubricate with motor oil	
3	820361 Plug	1/2" G brass	1	
4	3280030 Foot		2	
5	3040290 Screw	TE M14x40	6 C=50Nm / Mineral Grease	
6	3280090 Screw	M10x14	2 C=20Nm / Loxeal 55-14	
7	394171 Screw	M8x16	2 C=10Nm / Loxeal 55-14	
8	3280020 Connecting-rod		4	
9	3040100 Piston	Ø 100	4	
10	540070 Pin		4 Lubricate with motor oil	
11	160691 Ring	seeger Øi 18	8	
12	3040110 Piston ring		4	
13	3040130 Hub pin		4 C=30Nm / Loxeal 83-21	
14	3280160 Sleeve	stroke 22 Ø110	4	
15	3040080 Diaphragm	NBR - Øe 145	4	
16	3040120 Plate		4	
17	750980 Nut	M12	4 C=30Nm	
18	3040030 Head	plastic	4	
19	390090 Washer		28	
20	3040300 Screw	TE M12x85	32 C=50Nm / Mineral Grease	
21	3280080 Support		2	
22	3040490 Fitting		1 Loxeal 55-14	
23	3049001 Tank		1	
24	3040500 Tube	34 mm	1	
25	3040590 O-ring	Ø 22x3	2 Lubricate Molykote PG54	
26	3040510 O-ring	Ø 70x3	1 Lubricate with motor oil	
27	1040060 O-ring	Ø 72,69x2,62	1 Lubricate Molykote Longterm W2	
28	750050 Plug	threaded - red	1	
A	42980 Valve kit		1	
B	42587 Diaphragms kit	NBR	1	
C	42591 O-ring kit		1	
D	42981 Maintenance repair kit	NBR	1	
E	47187 Tank kit		1	

328_01-001_ar

Customer: AR
Customer Code:



SAE 30
4,000 Kg

Revision: 1

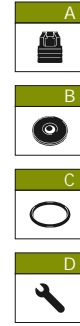
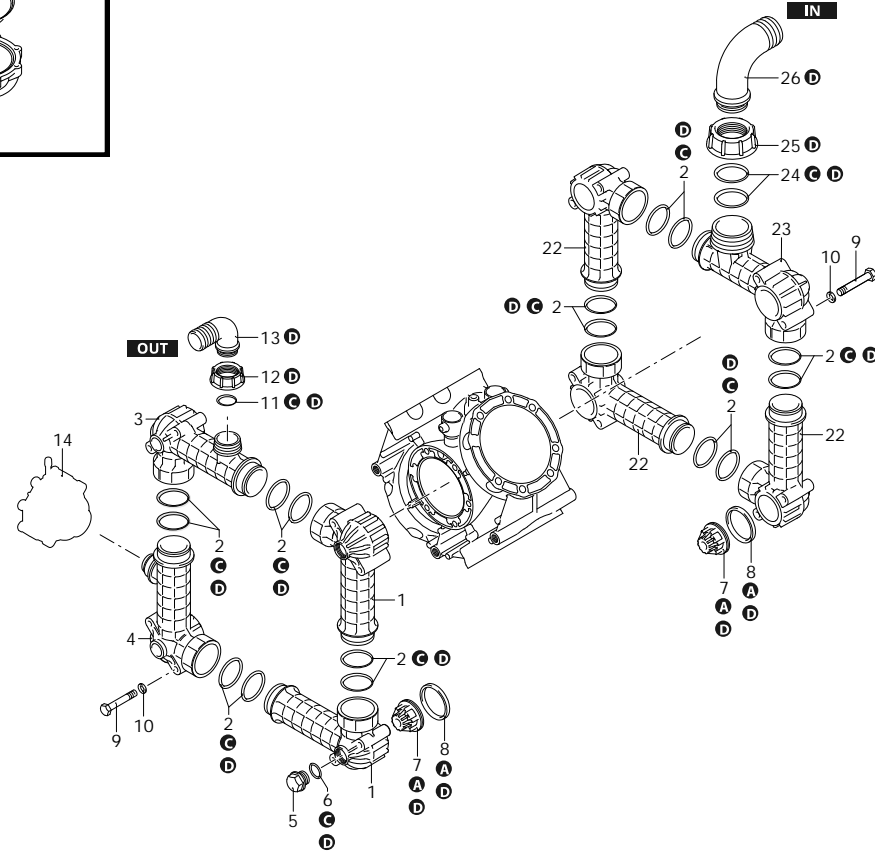
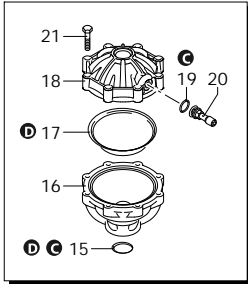
Date: 05/07/2024

Validity: < XX/YY = From week/year



AR 380 BP

1271 AR 380 BP AP C/C - NBR



Code	Description	Q	Note	Validity
1	3280041 Line		2	
2	100320 O-ring	Ø 52,39x3,53	16	Lubricate Molykote G-807
3	3280060 Line	delivery	1	
4	3280070 Line		1	
5	3040370 Plug	3/4" G	2	C=10Nm
6	1540630 O-ring	Ø 23,47x2,62	2	Lubricate Molykote PG54
7	3049050 Valve		8	
8	3040200 Gasket		8	Lubricate Molykote G-807
9	3040280 Screw	TE M10x85	16	C=27Nm / Mineral Grease
10	320621 Washer		16	
11	50012 O-ring	Ø 29,2X3	1	Lubricate Molykote PG54
12	750670 Ring nut	1" 1/2 G	1	
13	3040160 Elbow	Ø 35	1	
14	1508 Air chamber	NBR	1	
15	280220 O-ring	Ø 29,75x3,53	1	Lubricate Molykote PG54
16	3040310 Semi air chamber	lower	1	Loxeal 24-18
17	550190 Diaphragm	NBR - Øe 110	1	
18	620232 Semi air chamber	upper	1	
19	650542 Gasket		1	Lubricate with motor oil
20	180020 Air valve		1	C=3Nm / Loxeal 55-14
21	621781 Screw	TE M8x40	8	C=20Nm / Molykote 1000
22	3280040 Line	intake/delivery	3	
23	3280050 Line	intake	1	
24	750740 O-ring	Ø 56,74x3,53	2	Lubricate Molykote PG54
25	750710 Ring nut	2" 1/2 G	1	
26	750720 Elbow	Ø 60	1	
A	42980 Valve kit		1	
B	42587 Diaphragms kit	NBR	1	
C	42591 O-ring kit		1	
D	42981 Maintenance repair kit	NBR	1	

328_02-001_ar

Customer: AR
Customer Code:



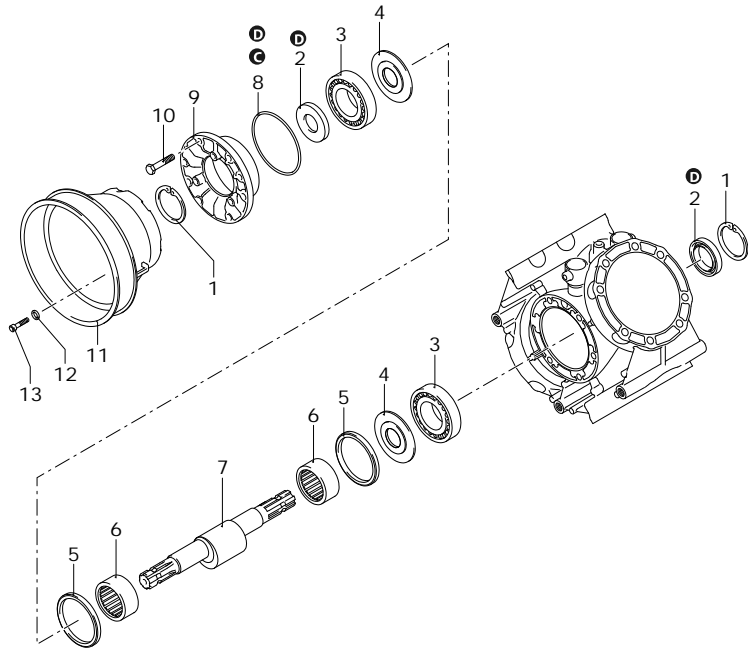
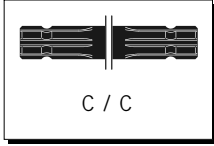
Revision: 1
Date: 05/07/2024

Validity: < XX/YY = From week/year



AR 380 BP

1271 AR 380 BP AP C/C - NBR



Code	Description		Q	Note	Validity
1	161050 Ring	seeger Øi 72	2		
2	2680120 Ring	seal	2	Lubricate with Mineral Grease	
3	160751 Bearing		2	Press Mount	
4	3280170 Plate		2		
5	850130 Ring	Connecting-rod	2		
6	850320 Bearing		2		
7	3280150 Shaft	ER marked	1		
8	1800160 O-ring	Ø 113,97x2,62	1	Lubricate Molykote PG54	
9	3040021 Flange		1	Lubricate Molykote PG54	
10	450261 Screw	TE M6x35	6	C=20Nm / Mineral Grease	
11	1500470 Cardan protection	Ø 239 mm	1		
12	390314 Washer		3		
13	850251 Screw	TCEI M8x12	3	C=10Nm	
A	42980 Valve kit		1		
B	42587 Diaphragms kit	NBR	1		
C	42591 O-ring kit		1		
D	42981 Maintenance repair kit	NBR	1		

328_03-001_ar

Customer: AR
Customer Code:



SAE 30
4,000 Kg

Revision: 1

Date: 05/07/2024

Validity: < XX/YY = From week/year