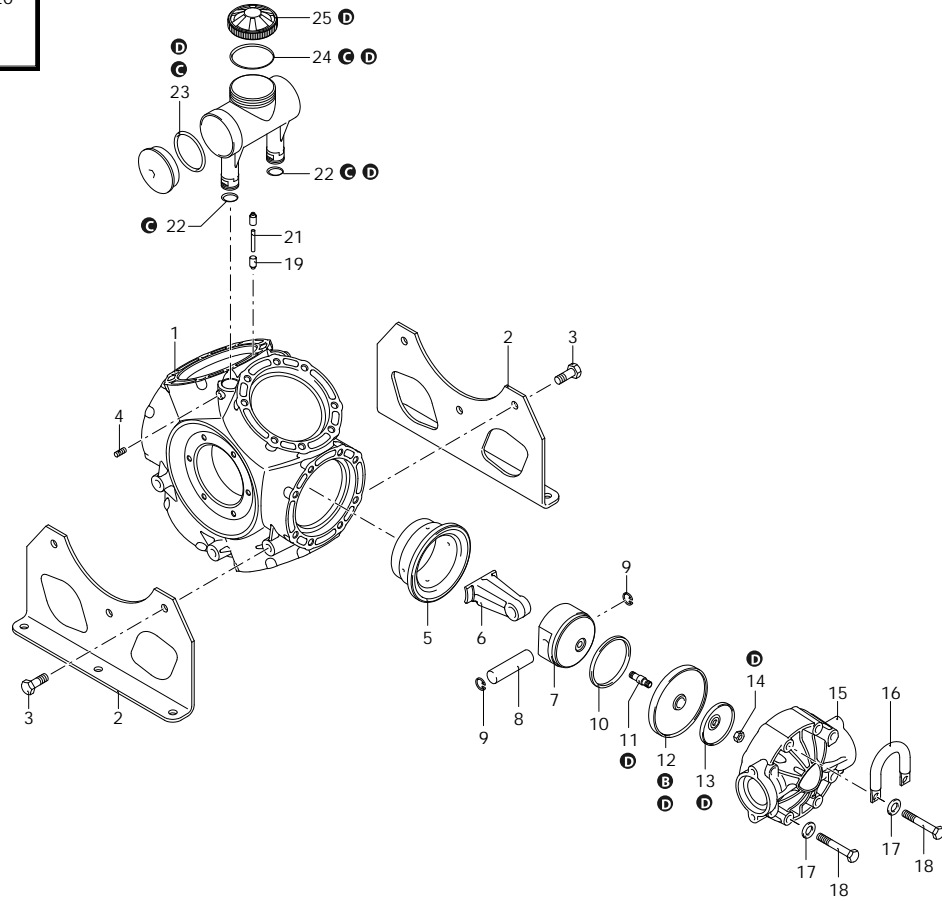
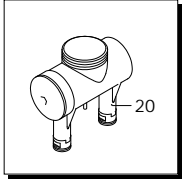




AR 410 BP

1245 AR 410 BP AP C/C - NBR



Code	Description	Q	Note	Validity
1	3040010 Pump body		1	
2	3040150 Foot		2	
3	3040290 Screw	TE M14x40	6 C=50Nm / Mineral Grease	
4	394171 Screw	M8x16	2 C=10Nm / Loxeal 55-14	
5	3040140 Sleeve		6	
6	3040090 Connecting-rod		6	
7	3040100 Piston	Ø 100	6	
8	540070 Pin		6 Lubricate with motor oil	
9	160691 Ring	seeger Øi 18	12	
10	3040110 Piston ring		6	
11	3040130 Hub pin		6 C=30Nm / Loxeal 83-21	
12	3040080 Diaphragm	NBR - Øe 145	6	
13	3040120 Plate		6	
14	750980 Nut	M12	6 C=30Nm	
15	3040030 Head	plastic	6	
16	3040481 Support		2	
17	390090 Washer		44	
18	3040300 Screw	TE M12x85	48 C=50Nm / Mineral Grease	
19	3040490 Fitting		1 Loxeal 55-14	
20	3049001 Tank		1	
21	3040500 Tube	34 mm	1	
22	3040590 O-ring	Ø 22x3	2 Lubricate Molykote PG54	
23	3040510 O-ring	Ø 70x3	1 Lubricate with motor oil	
24	1040060 O-ring	Ø 72,69x2,62	1 Lubricate Molykote Longterm W2	
25	1800060 Plug	threaded - black	1	
A	42290 Valve kit		1	
B	42287 Diaphragms kit	NBR	1	
C	42291 O-ring kit		1	
D	42982 Maintenance repair kit	NBR	1	
E	47187 Tank kit		1	

AR-2_000051_v01

Customer: AR
Customer Code:



SAE 30
8,000 Kg

Revision: 1

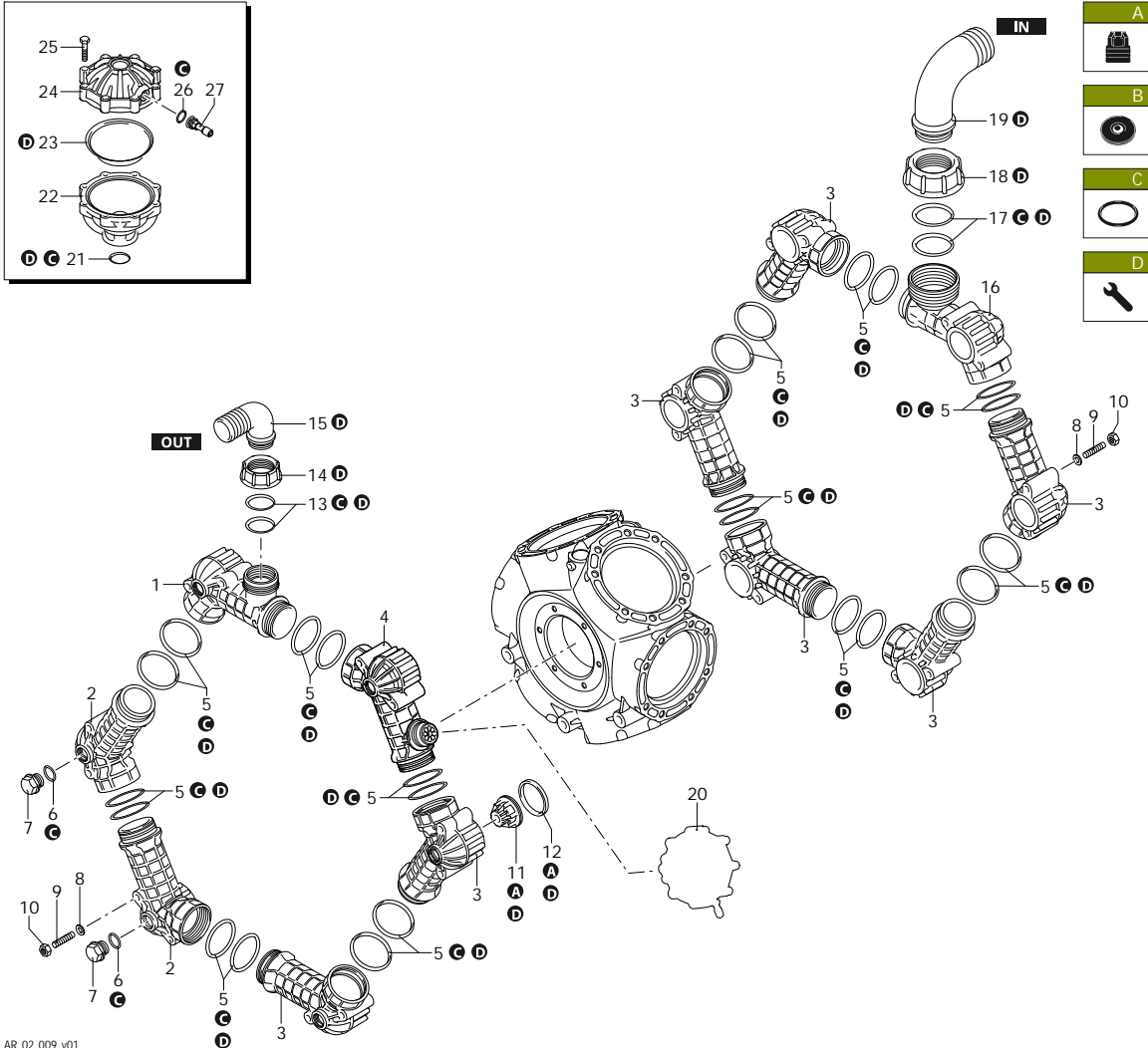
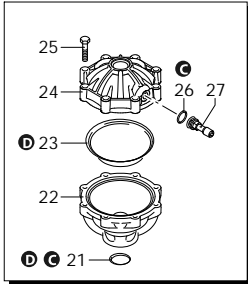
Date: 05/07/2024

Validity: < XX/YY = From week/year



AR 410 BP

1245 AR 410 BP AP C/C - NBR



AR_02_009_v01

Code Description Q Note Validity

Code	Description	Q	Note	Validity
1	3040060 Line		delivery	1
2	3040041 Line			2
3	3040040 Line			7
4	3040070 Line			1
5	750740 O-ring	Ø 56,74x3,53		24 Lubricate Molykote PG54
6	1540630 O-ring	Ø 23,47x2,62		2 Lubricate Molykote PG54
7	3040370 Plug	3/4" G		2 C=10Nm
8	3040520 Washer			24
9	3040530 Stud			24 C=30Nm / Loxeal 83-21
10	2240110 Nut	M10		24 C=25Nm
11	3049050 Valve			12
12	3040200 Gasket			12 Lubricate Molykote G-807
13	3040470 O-ring	Ø 39,3x2,62		2 Lubricate with motor oil
14	3040450 Ring nut	2" G		1
15	3040430 Elbow	Ø 40		1
16	3040050 Line	intake		1
17	3040460 O-ring	Ø 68,26x3,53		2 Lubricate Molykote PG54
18	3040420 Ring nut	3" G		1
19	3040410 Elbow	Ø 75		1
20	1508 Air chamber	NBR		1
21	280220 O-ring	Ø 29,75x3,53		1 Lubricate Molykote PG54
22	3040310 Semi air chamber	lower		1 Loxeal 24-18
23	550190 Diaphragm	NBR - Øe 110		1
24	620232 Semi air chamber	upper		1
25	621781 Screw	TE M8x40		8 C=20Nm / Molykote 1000
26	650542 Gasket			1 Lubricate with motor oil
27	180020 Air valve			1 C=3Nm / Loxeal 55-14
A	42290 Valve kit			1
B	42287 Diaphragms kit	NBR		1
C	42291 O-ring kit			1
D	42982 Maintenance repair kit	NBR		1

Customer: AR
Customer Code:



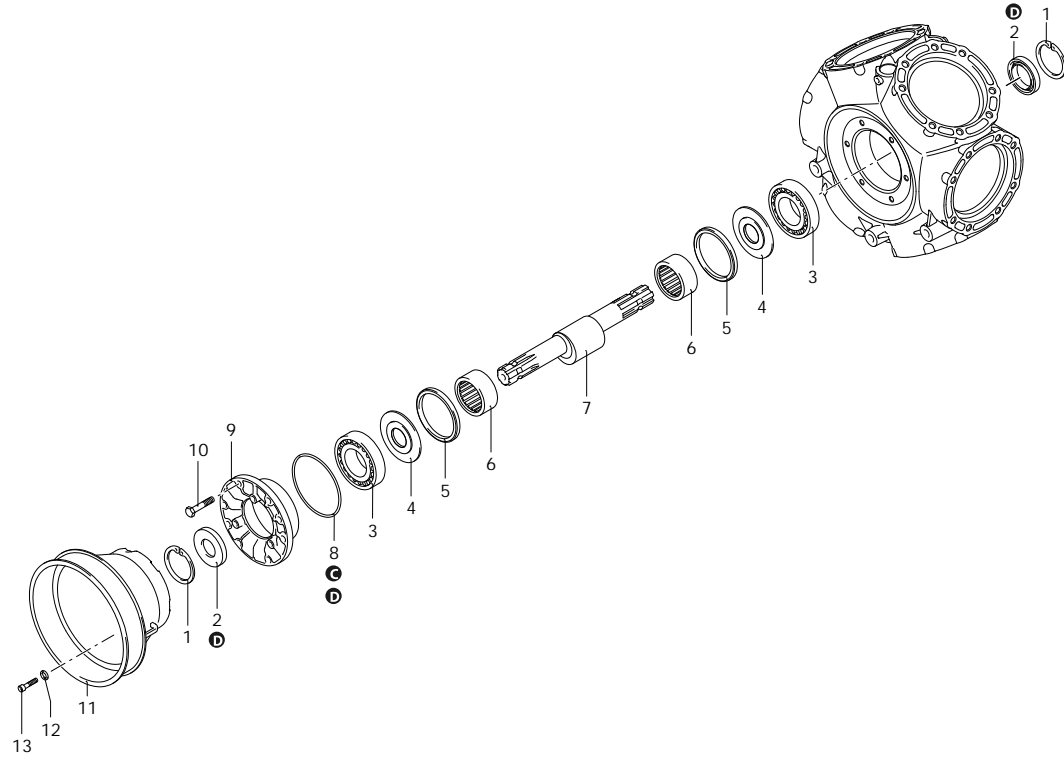
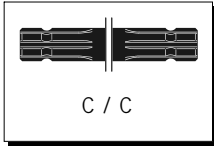
Revision: 1
Date: 05/07/2024

Validity: < XX/YY = From week/year



AR 410 BP

1245 AR 410 BP AP C/C - NBR



Code	Description		Q	Note	Validity
1	161050 Ring	seeger Øi 72	2		
2	2680120 Ring	seal	2	Lubricate with Mineral Grease	
3	160751 Bearing		2	Press Mount	
4	540040 Plate		2	Lubricate with motor oil	
5	850130 Ring	Connecting-rod	2		
6	850320 Bearing		2		
7	3040170 Shaft	DA marked	1		
8	1800160 O-ring	Ø 113,97x2,62	1	Lubricate Molykote PG54	
9	3040021 Flange		1	Lubricate Molykote PG54	
10	450261 Screw	TE M6x35	6	C=20Nm / Mineral Grease	
11	1500470 Cardan protection	Ø 239 mm	1		
12	390314 Washer		3		
13	850251 Screw	TCEI M8x12	3	C=10Nm	
A	42290 Valve kit		1		
B	42287 Diaphragms kit	NBR	1		
C	42291 O-ring kit		1		
D	42982 Maintenance repair kit	NBR	1		

AR_03_033_v01

Customer: AR
Customer Code:



SAE 30
8,000 Kg

Revision: 1

Date: 05/07/2024

Validity: < XX/YY = From week/year