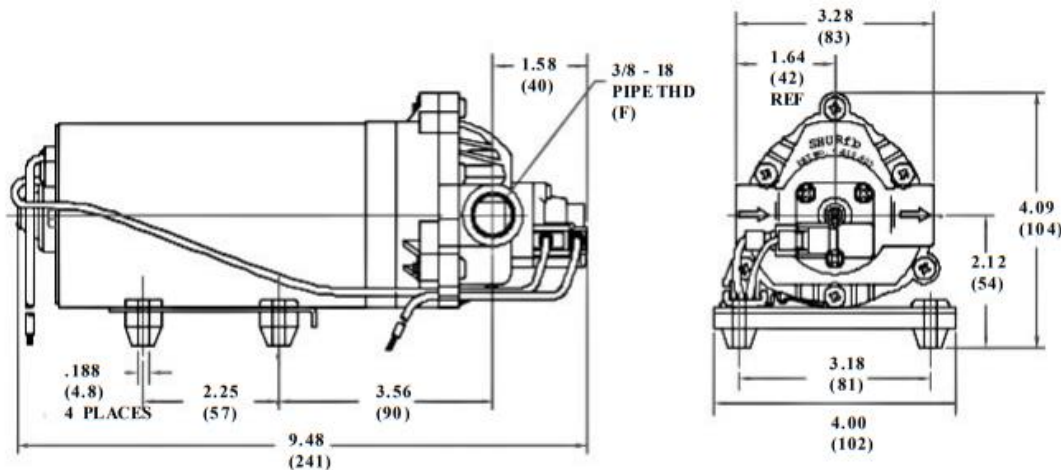


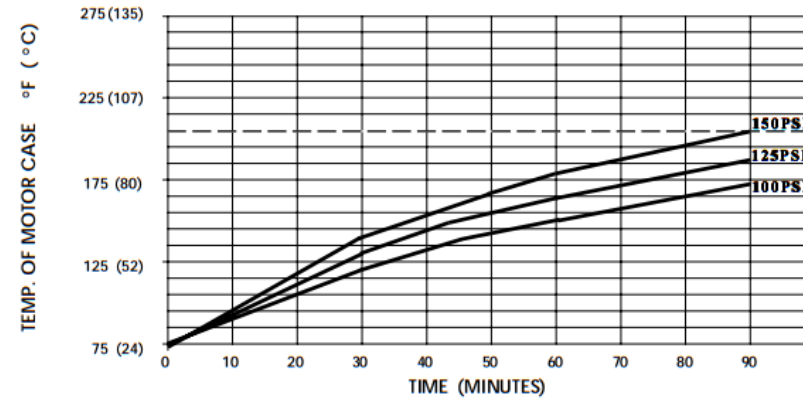
SPECIFICATIONS:

- MODEL NUMBER: 8030-813-239
- PUMP DESIGN: Positive Displacement 3 Chamber Diaphragm Pump
- CHECK VALVE: (2-Way Op.) Prevents Reverse Flow & 6 Ft. Head Forward Flow
- CAM: 3.0 Degree
- MOTOR: Permanent Magnet, P/N 11-227-00, Thermally Protected
- VOLTAGE: 12 VDC Nominal
- PRESSURE SWITCH: Adjustable Shut-Off (Range 140-160 PSI)
Factory Set @ 150 PSI, Turn On 115 PSI
- LIQUID TEMPERATURE: 180 Degrees Fahrenheit (82 Degrees Centigrade) Max.
- PRIME: Self-Priming Up To 6 Ft. Vertical,
Max. Inlet Pressure 30 PSI (2.1 Bar)
- PORTS: 3/8"-18 NPT Female
- MATERIAL OF CONSTRUCTION:
 - PLASTICS- Nylon
 - VALVES- Viton
 - DIAPHRAGM- Santoprene
 - FASTENERS- Zinc Plated Steel
- NET WEIGHT: 5.9 Lbs (2.7 Kg)
- DUTY CYCLE: Intermittent (See Temperature Rise Chart)
- TYPICAL APPLICATIONS: Agricultural Spraying

DIMENSIONS:



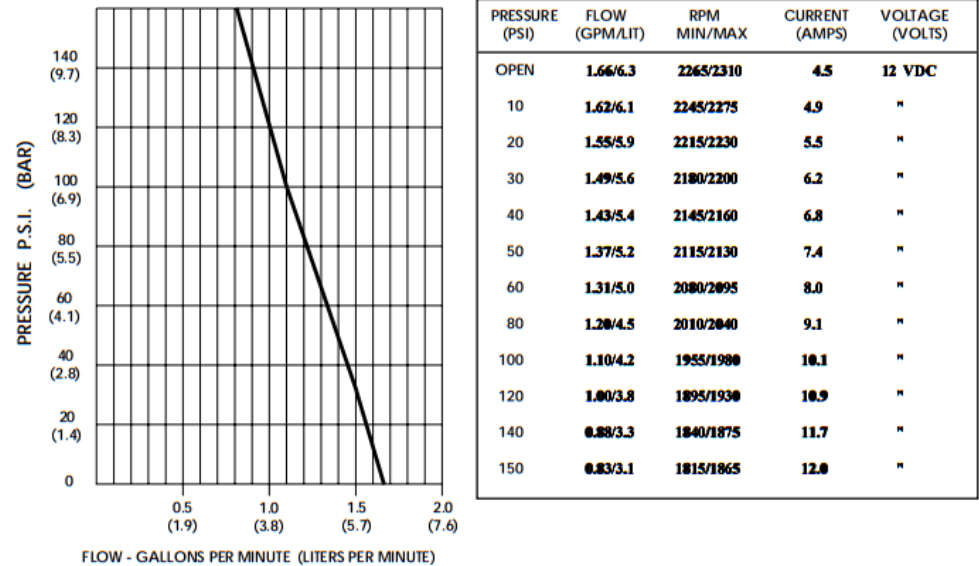
TEMPERATURE RISE



THIS GRAPH IS FOR USE AS A DESIGN GUIDE. IT IS BASED ON RUNNING CONTINUOUSLY WITH AN AMBIENT TEMPERATURE OF 75 °F IN STILL AIR. THE THERMAL BREAKER WILL OPEN WHEN THE CASE TEMPERATURE REACHES 205 °F.

[----- TRIP POINT OF THERMAL PROTECTOR]

TYPICAL PERFORMANCE



-SPECIFICATIONS SUBJECT TO CHANGE WITHOUT NOTICE.
-ALL DATA BASED ON TESTING WITH WATER AT AMBIENT TEMPERATURE.