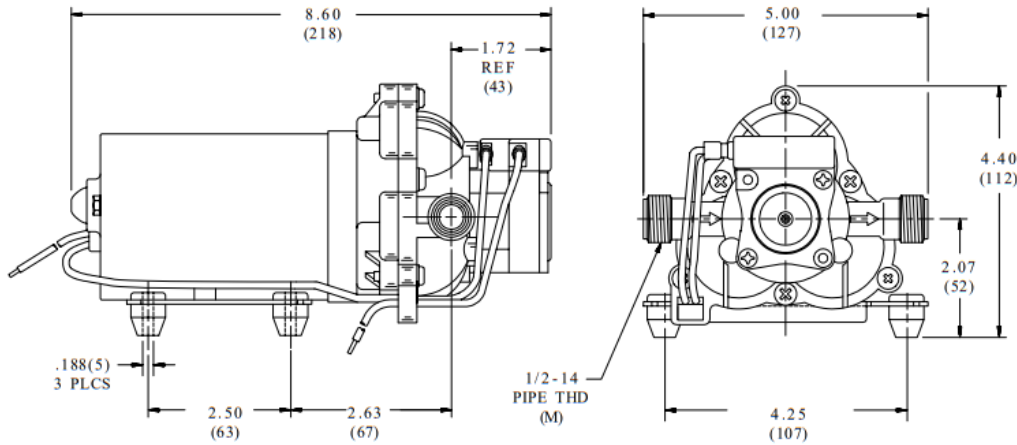


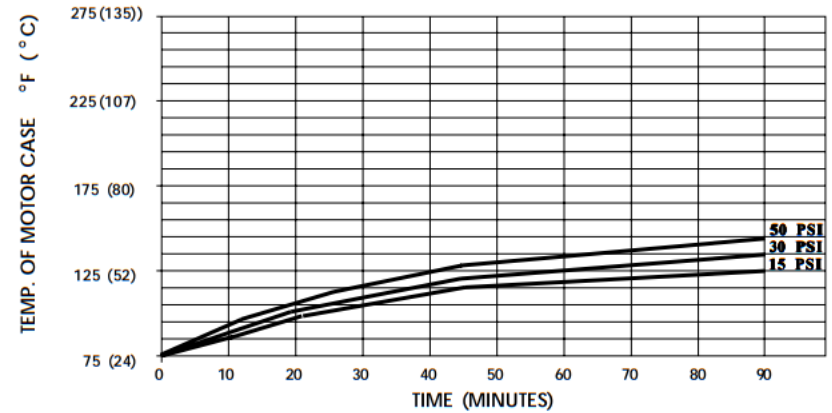
**SPECIFICATIONS:**

**MODEL NUMBER:** 2088-474-144  
**PUMP DESIGN:** Positive Displacement 3 Chamber Diaphragm Pump  
**CHECK VALVE:** (1-Way Operation) Prevents Reverse Flow  
**CAM:** 3.0 Degree  
**MOTOR:** Permanent Magnet, P/N 11-187-00  
**VOLTAGE:** 24 VDC Nominal  
**PRESSURE SWITCH:** Factory Set @ 45 PSI Shut-Off, Turn On  $25 \pm 5$  PSI  
 Adjustable From 30 to 50 PSI  
**LIQUID TEMPERATURE:** 130 Degrees Fahrenheit (54 Degrees Centigrade) Max.  
**PRIME:** Self-Priming Up To 10 Ft. Vertical,  
 Max. Inlet Pressure 30 PSI (2.1 Bar)  
**PORTS:** 1/2" - 14 Male Parallel Thread  
**MATERIAL OF CONSTRUCTION:**  
**PLASTICS-** Polypropylene  
**VALVES-** Santoprene  
**DIAPHRAGM-** Santoprene  
**FASTENERS-** Zinc Plated Steel  
**NET WEIGHT:** 4.9 Lbs (2.22 Kg)  
**DUTY CYCLE:** Intermittent (See Temp. Rise Chart)  
**TYPICAL APPLICATIONS:** Industrial Transfer

**DIMENSIONS:**



**TEMPERATURE RISE**



THIS GRAPH IS FOR USE AS A DESIGN GUIDE. IT IS BASED ON RUNNING CONTINUOUSLY WITH AN AMBIENT TEMPERATURE OF 75° F IN STILL AIR.

**TYPICAL PERFORMANCE**

