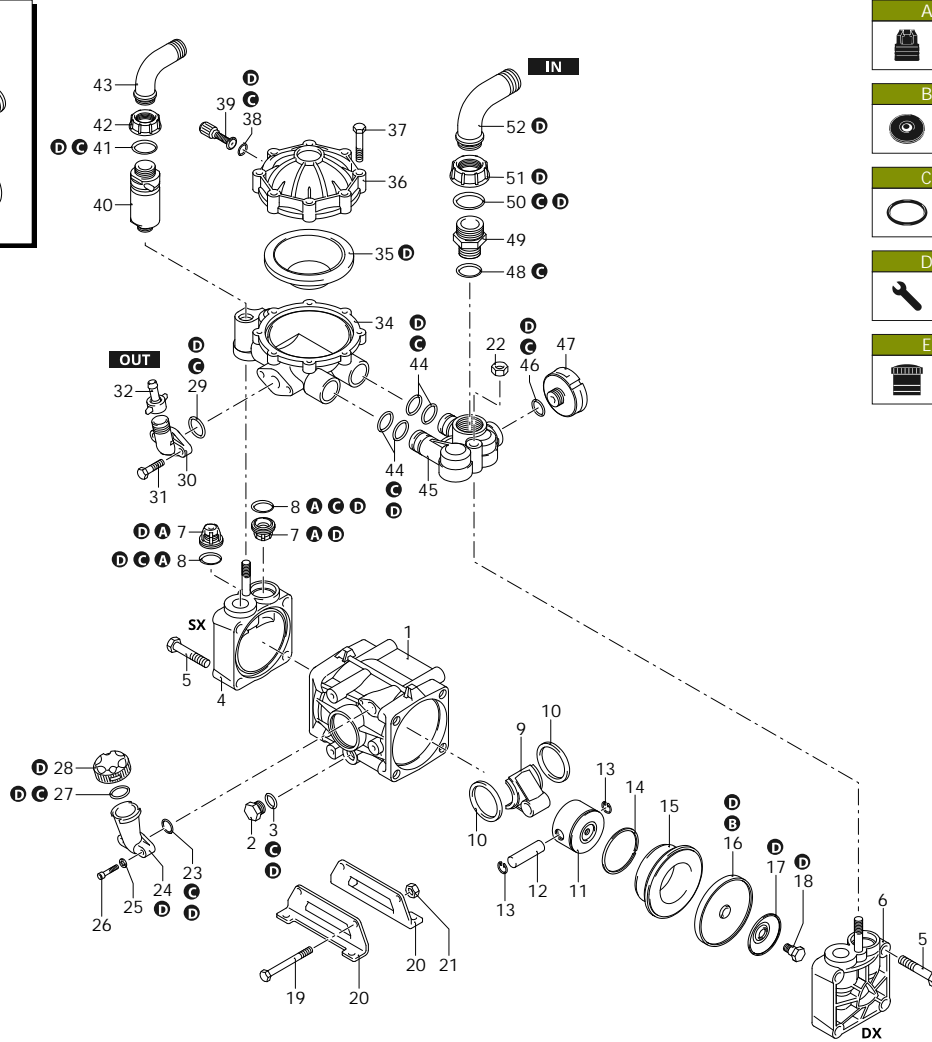
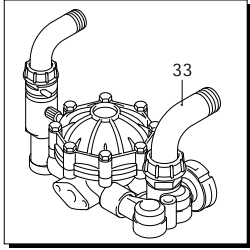




AR 40

31829 AR 40 SP - BlueFlex



AR_01_027_v01

Customer: AR
Customer Code:



SAE 30
0,700 Kg

Revision: 1

Date: 05/07/2024

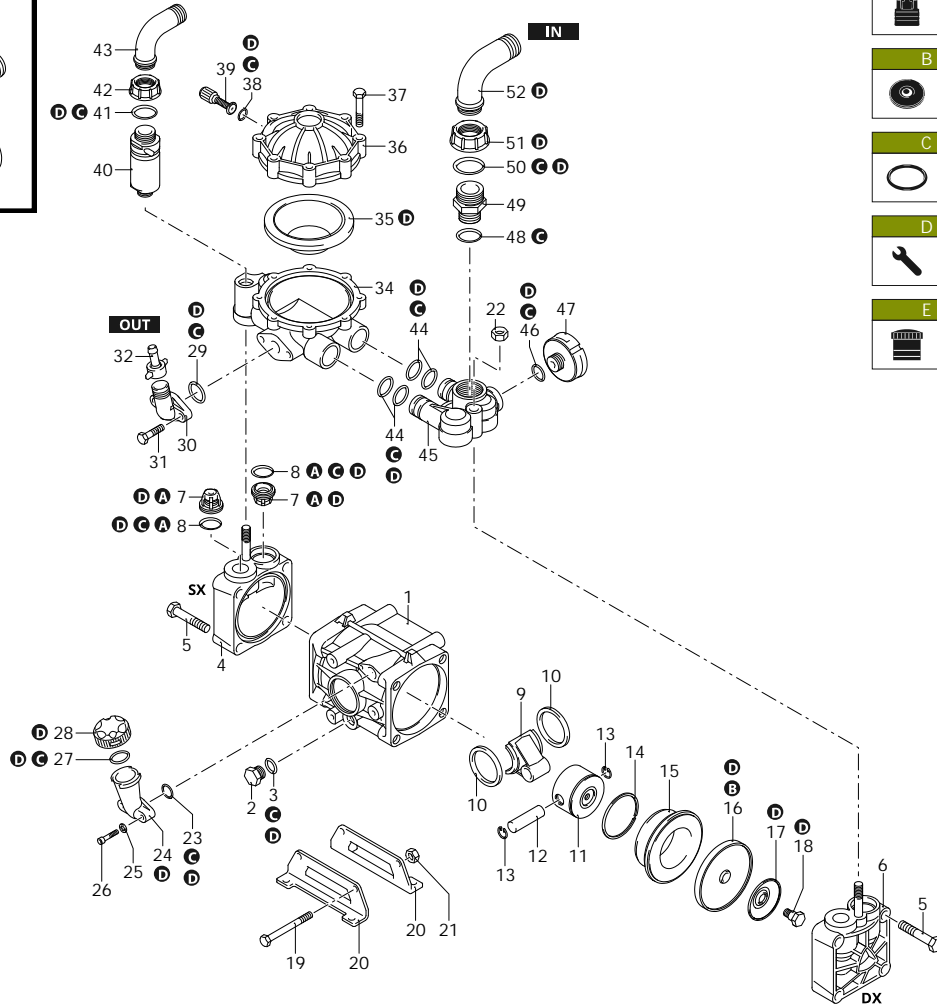
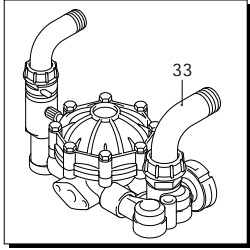
Validity: < XX/YY = From week/year

Code	Description	Q	Note	Validity
1	620011 Pump body		1	
2	880530 Plug	3/8" G	1 C=20Nm	
3	740290 O-ring	Ø 14x1,78	1 Lubricate Molykote PG54	
4	620102 Head	dx	1	
5	621430 Screw	TE M12x55	8 C=50Nm	
6	620101 Head	dx	1	
7	629050 Valve		4	
8	620030 O-ring	Ø 25,80x3,53	4 Lubricate with motor oil	
9	620140 Connecting-rod		2 Lubricate with motor oil	
10	580470 Ring	Connecting-rod	4 Lubricate with motor oil	
11	620120 Piston	Ø 56	2	
12	380300 Pin		2 Lubricate with Mineral Grease	
13	380080 Ring	seeger Øi 14	4	
14	160230 Piston ring		2	
15	622190 Sleeve		2	
16	620082 Diaphragm	BlueFlex - Øe 96	2	
17	1040180 Plate		2	
18	580360 Hub pin		2 C=20Nm / Molykote 1000	
19	380210 Screw	TE M8x75	2 C=30Nm	
20	380200 Foot		2	
21	380240 Nut	M8	2 C=10Nm	
22	180150 Nut	M10	2 C=40Nm	
23	180101 O-ring	Ø 17,5x2	1 Lubricate with motor oil	
24	550030 Tank		1	
25	550331 Washer		2	
26	850850 Screw	TCEI M6x30	2 C=10Nm	
27	550040 O-ring	Ø 26,65x2,62	1 Lubricate with motor oil	
28	550052 Plug	black	1	
29	550350 O-ring	Ø 23,81x2,62	1 Lubricate with Mineral Grease	
30	450145 Flange		1	
31	540290 Screw	TCEI M8x25	2 C=23Nm	
32	110130 Ring nut	1/2" G	1	
33	46716 Air chamber	BlueFlex	1	
34	620180 Semi air chamber	lower	1	
35	550194 Diaphragm	BlueFlex - Øe 110	1	
36	620230 Semi air chamber	upper	1	
37	621780 Screw	TE M8x40	8 C=10Nm / Molykote 1000	
38	650542 Gasket		1 Lubricate with motor oil	
39	180020 Air valve		1 C=3Nm / Loxeal 55-14	
40	1609001 Safety valve	40 bar	1 C=10Nm / Loxeal 24-18	
41	880831 O-ring	Ø 15,54x2,62 Viton	1 Lubricate Molykote G-807	
42	550450 Ring nut	3/4" G	1	
43	550460 Elbow	Ø 18	1	
44	390060 O-ring	Ø 20,63x2,62	4	
45	620150 Fitting		1	
46	180101 O-ring	Ø 17,5x2	1 Lubricate with motor oil	



AR 40

31829 AR 40 SP - BlueFlex



- A**
- B**
- C**
- D**
- E**

Code	Description	Q	Note	Validity
47	659213 Diaphragm	1		
48	390290 O-ring	Ø 29x3	1 Lubricate Molykote PG54	
49	450120 Fitting	1" G - 1"1/4" G (M-M)	1	
50	550350 O-ring	Ø 23,81x2,62	1 Lubricate with Mineral Grease	
51	550870 Ring nut	1"1/4 G	1	
52	550370 Elbow	Ø 25	1	
A	1917 Valve kit		1	
B	43199 Diaphragms kit	BlueFlex	1	
C	1916 O-ring kit		1	
D	47422 Maintenance repair kit	BlueFlex	1	
E	47194 Tank kit		1	

AR_01_027_v01

Customer: AR
Customer Code:



SAE 30
0,700 Kg

Revision: 1

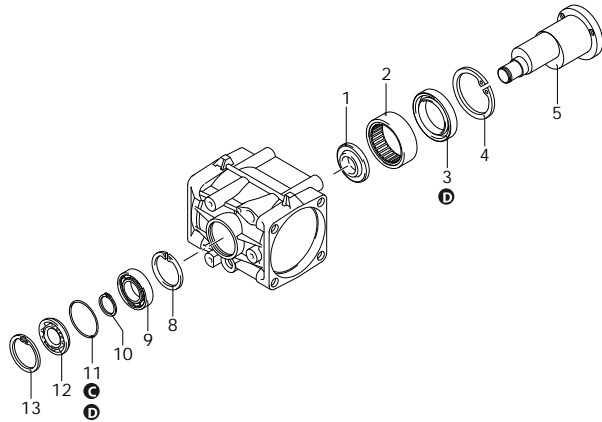
Date: 05/07/2024

Validity: < XX/YY = From week/year



AR 40

31829 AR 40 SP - BlueFlex



Code	Description	Q	Note	Validity
1	620160 Spacer	1		
2	550060 Bushing	1	Press Mount	
3	620130 Ring	1	Lubricate with Mineral Grease	
4	620330 Ring	1	seeger Øi 65	
5	622200 Shaft	1	Fl marked	
8	111120 Ring	1	seeger Øi 47	
9	620191 Bearing	1		
10	620291 Ring	1	seeger Øe 20	
11	620210 O-ring	1	Ø 40,95x2,62	
12	620020 Cover	1		
13	111120 Ring	1	seeger Øi 47	
A	1917 Valve kit	1		
B	43199 Diaphragms kit	1	BlueFlex	
C	1916 O-ring kit	1		
D	47422 Maintenance repair kit	1	BlueFlex	

AR_03_045_v01

Customer: AR
Customer Code:



SAE 30
0,700 Kg

Revision: 1

Date: 05/07/2024

Validity: < XX/YY = From week/year